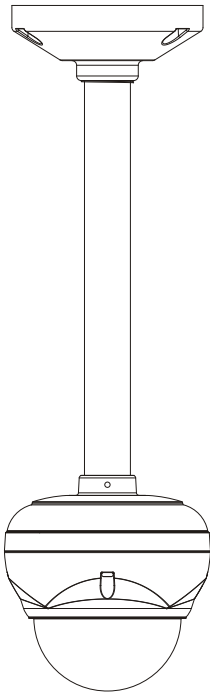
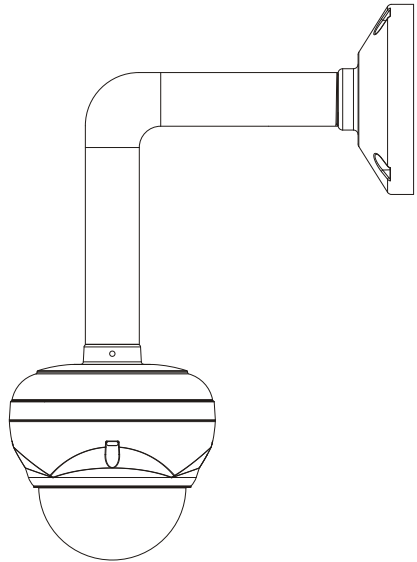


WALL / CEILING MOUNT BRACKET



Ceil Type



Wall Type

Please read this manual thoroughly before use, and keep it handy for future reference.

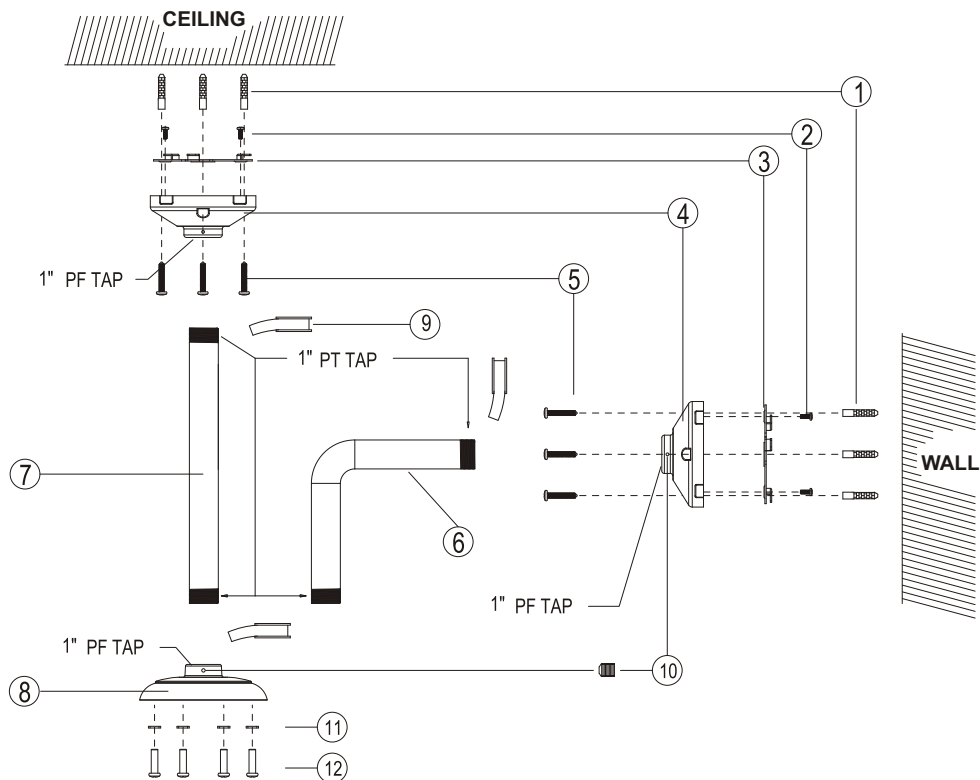
1. ASSEMBLY PARTS LIST

ITEM	Q' TY	PART NAME	DESCRIPTION
1	3	PLASTIC BUSHING	ANCHOR (∅6.0mm)
2	2	MACHINE SCREW	UNC #8-32 SCREW (L=8mm)
3	1	PLATE	GI 1.6t
4	1	MOUNT BASE	PF 1" , ALUMINUM
5	3	SCREW TAPPING	M6, L = 35.0mm
6	1	PIPE (90° ANGLE TYPE)(Option)	PT 1" , ALUMINUM
7	1	PIPE (STRAIGHT TYPE)(Option)	PT 1" , ALUMINUM
8	1	DOME ADAPTOR	PF 1" , ALUMINUM
9	1	SEAL TAPE	TEFLON
10	2	SET SCREW	M5 x 5.0mm
11	4	O-RING	
12	7	MACHINE SCREW	M6 x 12.0
13	1	L-WRENCH	

2. INSTALLATION

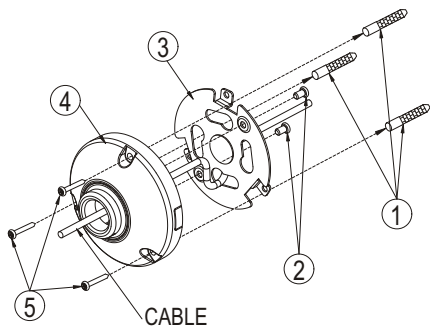
- Attach the mount base (④) and plate (③) to the ceiling or wall using the supplied M6 tapping screws (⑤) and plastic bushings(①)
(Please refer to page 3 for an assembly drawing of the of plate)
- Wind Teflon tape (⑨) around both threaded ends of the pipe (about 20times) for sealing.
If necessary, use a silicone rubber sealant to seal the area where the mount base and the pipe meet.
- Fit the pipe (of which threads are covered by teflon tape) into the mount base (④) and turn until it is securely fastened.
- Pull all the required cables through the mount base(④) and pipe(⑥ , ⑦).
- Align the dome adaptor (⑧) with the pipe and turn until it is securely fastened.
- Fasten the mount base (④), dome adaptor (⑧) using the set screw (⑩).
- Fasten the vandal proof dome housing to the dome adaptor (⑧) using M6 x 12 machine screw.

EXPLODE VIEW

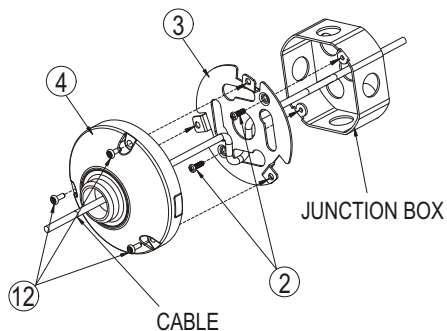


How to install the plate

• Ex1. Without junction box

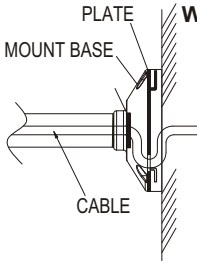


• Ex2. With junction box

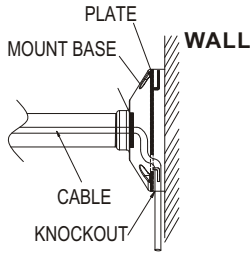


* ATTENTION TO THE
PLATE SIDE.

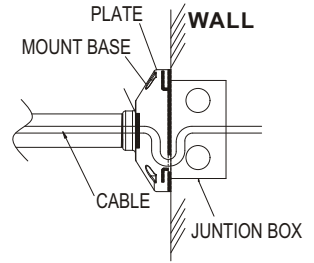
3. SPECIFICATIONS



1. Cable passing through the wall

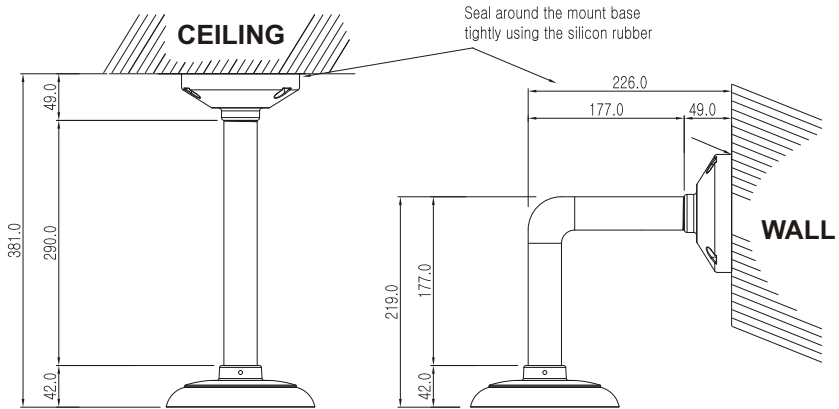


2. Cable on the wall (Remove the conduit knockout for cable passing through)



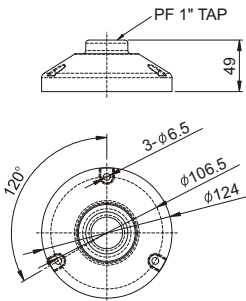
3. Cable Passing through the wall with the junction box (Attention to the plate side)

4. DIMENSION DRAWING



(Unit: mm)

[Mount Base Size]



Pipe Specification	1" PF TAP
Construction	Aluminum and steel
Maximum Load	Approx 11 lbs (5 kg)
Weight - Unit Shipping	Approx 2.6 lbs (1.3 kg) Approx 3.5 lbs (1.7 kg)