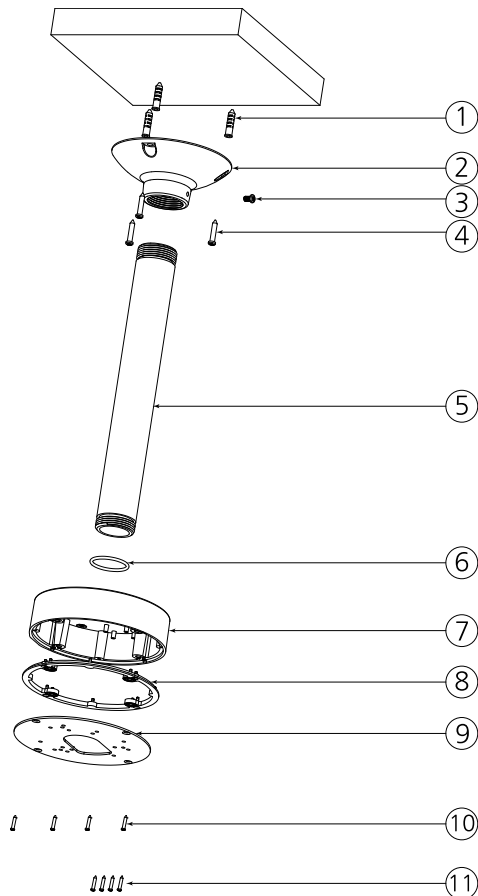


# CEILING MOUNT DOME BRACKET INSTALLATION

Attach the ceiling mount bracket to the structure using the tapping screw (PLASTIC ANCHOR, PTS1 M6x35L) as illustrated in the figure. The wall mount bracket must be attached to a structure such as hardwood, wall stud, concrete or a suitable material capable of supporting the final mount assembly.



## ASSEMBLE PARTS LIST

NO	PART NAME	Q'TY	DESCRIPTION
1	PLASTIC BUSHING	3	Anchor (Ø6 mm)
2	MOUNT BASE	1	PF1.25" Tap Aluminum
3	SCREW MACHINE	4	BH M5 x 8L
4	SCREW TAPPING	3	M6 L=35.0mm
5	PIPE STRAIGHT	1	Ø42.0 Aluminum
6	O-RING PIPE	2	Ø3.0 Gasket Rubber
7	CONDUIT BOX	1	PT 1" M35 Tap Aluminum
8	GASKET	1	Sillicon Rubber
9	CONDUIT PLATE	1	Aluminum 1.2T
10	SCREW MACHINE(FC)	4	FC M4 x 12
11	SCREW MACHINE	4	BH M4 x 16

## ACCESSORY

NO	PART NAME	Q'TY	DESCRIPTION
1	PLASTIC ANCHOR	3	Anchor (Ø6 mm)
2	SCREW TAPPING	3	PTS1 M6 x 35L
3	SCREW MACHINE	4	BH M4 x 16L
4	SCREW MACHINE	1	BH M5 x 8L

## PRODUCT FEATURES

- Light duty Plastic Wall Mount
- Die cast and aluminum
- Maximum load 11.02 lb [5.0 kg]

This mount is light duty wall mount  
Designed for use wit

This mount is for use in wall mounting  
Application and is capable of supporting  
Loads up to 11.02 lb [5.0 kg]

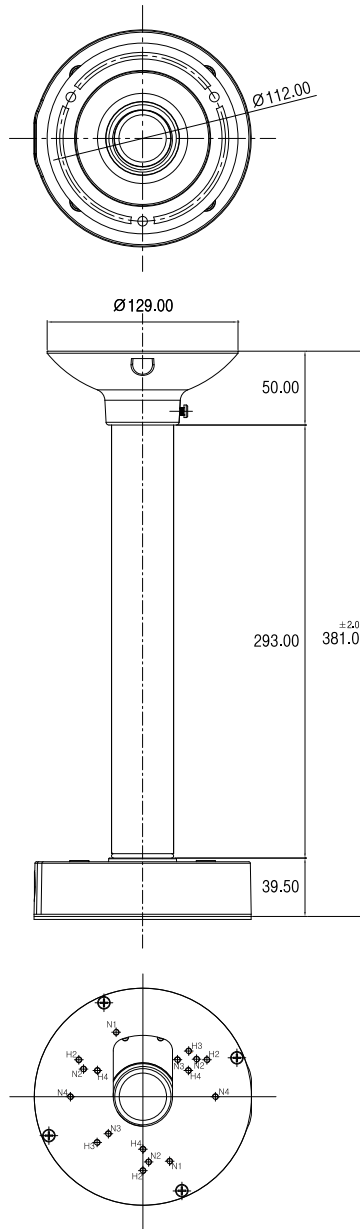
## SPECIFICATION

### GENERAL

Enclosure mounting	Machine screw [supplied]	Dimension	See dimensional outline
Construction	Aluminum Die casting	Weight	Unit 2.68 lb [1.22 g]
Finish	Polyester power coat		



**DIMENSION (mm)**



HOLE	DIAMETER	MOUNT POINT	DESCRIPTION
H2	100.0 mm	3	BH M4 x 16
H3	87.5 mm	2	BH M4 x 16
H4	71.0 mm	3	BH M4 x 16
N1	94.5 mm	2	BH M4 x 16
N2	88.6 mm	3	BH M4 x 16
N3	68.5 mm	2	BH M4 x 16
N4	98.0 mm	2	BH M4 x 16

50304407A