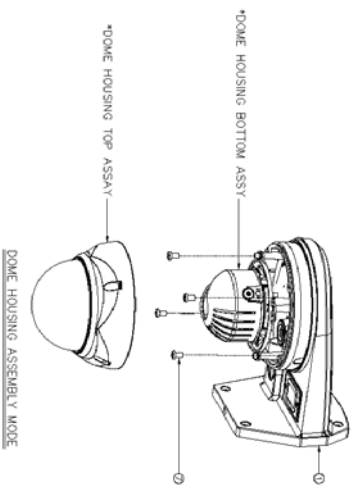
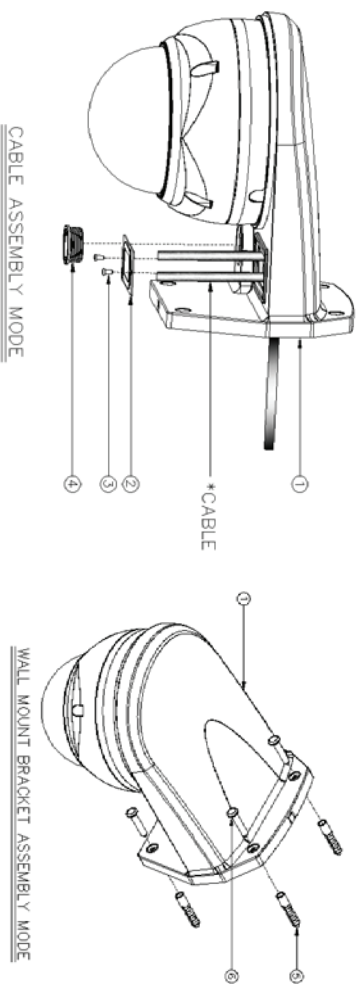


WALL MOUNT DOME BRACKET INSTALLATION

Attach the wall mount bracket to the structure using the tapping screw (PLASTIC ANCHOR, PTS1 M6x40L) as illustrated in the figure. The wall mount bracket must be attached to a structure such as hardwood, wall stud, concrete or a suitable material capable of supporting the final mount assembly. The installer may need to change the method of mounting or hardware used depending on the wall material. Use the machine screw (M6x16L, M4x16L) to align the wall mount bracket holes to dome housing holes.



NO	PART NAME	Q'TY	DESCRIPTION
1	WALL MOUNT BRACKET	1	Aluminum Die Casting
2	PLATE	1	Aluminum Sheet
3	MACHINE SCREW	2	M3 x 6L
4	PT PLUG 3/4	1	3/4 PIPE HOLE
5	PLASTIC ANCHOR	4	M6 x 40L
6	TAPPING SCREW	4	M6 x 40L
7	MACHINE SCREW	4	M6 x 16L

* NOT INVOLVED IN PRODUCT.

PRODUCT FEATURES

- Light duty Wall Mount
- Die cast and aluminum
- Maximum load 11.0 lb [5.0 kg]
- Easy and safe to install

This mount is light duty wall mount
Designed for use with enclosure.

This mount is for use in wall mounting
Application and is capable of supporting
Loads up to 11.0 lb [5.0 kg]

SPECIFICATION

GENERAL	
Enclosure mounting	Machine screw [supplied]
Construction	Die case and aluminum
Finish	Polyester power coat
Maximum load	11.0 lb [5.0 kg]

Inlet dimension	PT 3/4
Dimension	See dimensional outline
Weight	Unit 2.87 lb [1.3 kg]

DIMENSION

