

# WEATHERPROOF CAMERA HOUSING

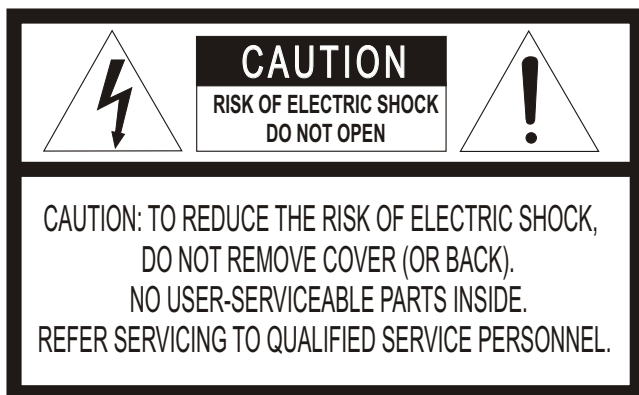
---



*Please read this manual thoroughly before use, and keep it handy for future reference.*

## CAUTION

---



## EXPLANATION OF GRAPHICAL SYMBOLS

---



The lightning flash with arrowhead symbol, within an equilateral triangle, is intended to alert the user to the presence of uninsulated "dangerous voltage" within the product's enclosure that may be of sufficient magnitude to constitute a risk of



The exclamation point within an equilateral triangle is intended to alert the user to the presence of important operating and maintenance (servicing) instruction in the literature accompanying the product.

- ※ **FIELD INSTALLATION** - This installation should be made by a qualified service person and should conform to all local codes.

## 1. DESCRIPTIONS

The camera housing series are stylish and functionally designed enclosures for 1/2" and 1/3" CCD cameras with fixed focal length or small zoom lenses.

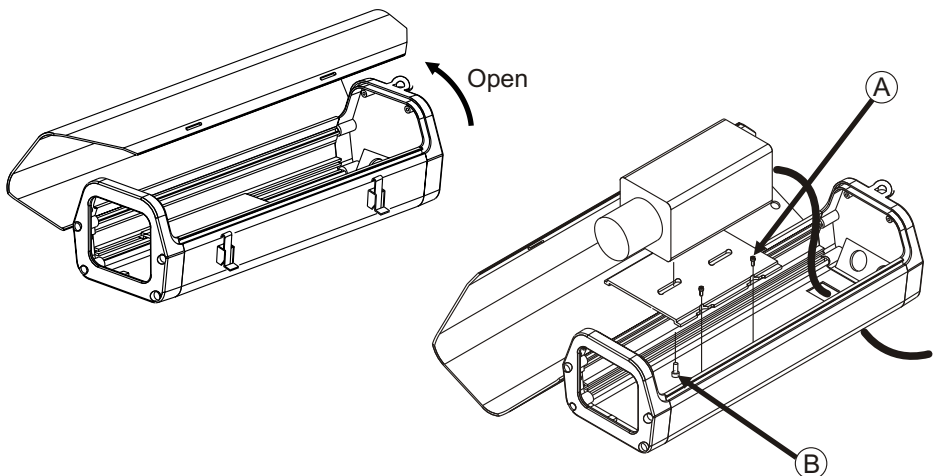
This manual describes how to assemble the housing and its optional components, affix the camera and mount the assembly to a suitable surface.

## 2. PRODUCT FEATURES

- . For 1/2" or 1/3" format CCD cameras
- . All aluminum construction
- . Side opening for easy access
- . Adjustable mounting track
- . Designed for indoor/outdoor applications; for use with fixed mount or pan/tilt
- . Cable feedthrough
- . IP 66 rated
- . Optional sunshield component

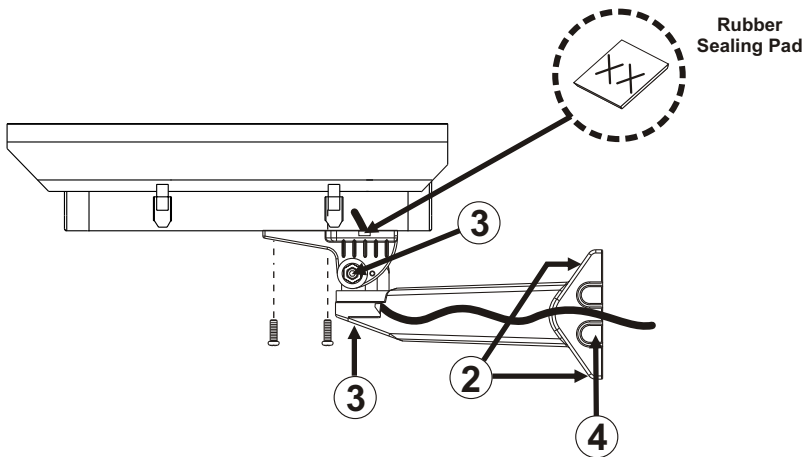
## 3. CAMERA MOUNTING

1. Unlatch lid and open.
2. Loosen the screws (A) in the bottom of the enclosure and remove the camera sled from the rail.
3. Mount the camera to the sled with 1/4" -20 UNC screw (B) that are provided in the parts bag.
4. Make the electrical terminations ensuring that they are electrically safe when connected to the terminal strip.
5. Close the lid and latch.

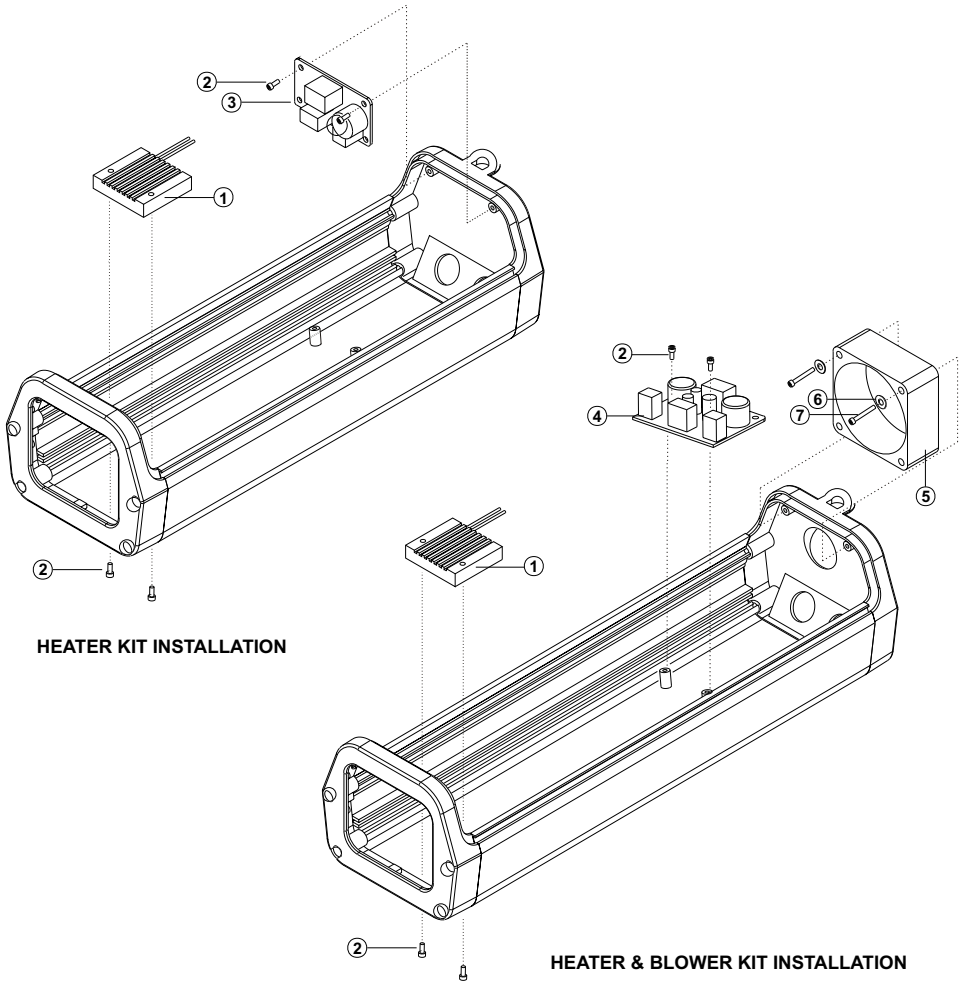


## 4. WALL BRACKET MOUNTING

1. Insert the cable through the rubber sealing pad and make all of the necessary electrical connections as described in the instructions that accompanied the camera. Be sure that the rubber sealing pad may be to use the bore a hole with a gimlet or knife.
2. Use fasteners of appropriate size and type to attach the bracket to the wall surface. Position the housing so that it allow for viewing of the selected area.
3. Adjust the movable arm of the wall bracket to attain the desired position. Once it is in place, tighten the bolt located at the pivot point of the movable arm.
4. If applicable the cable out, remove the knockout on the wall bracket mounting.



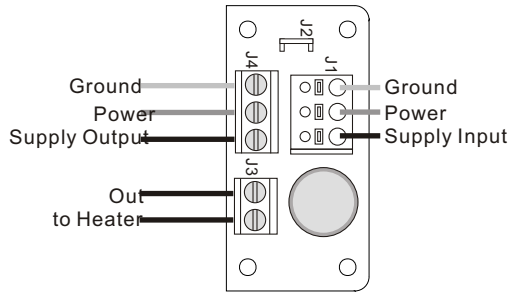
## 5. HEATER AND BLOWER KIT INSTALLATION



ITEM	DESCRIPTION	Q'TY
1	Heater: AC110V~230V/ 20W Heater: AC24V/ 20W	1
2	Screw machine: Flat washer head NPC3x6	4
3	PCB & thermostat assembly (Heater only)	1
4	PCB & thermostat assembly (Heater and blower) AC24V (Heater and blower) AC110V ~ 230V	1
5	Fan: 24VDC (AC rectified), 19CFM	1
6	Flat washer M3	2
7	Screw machine: Pan head PC3x30 (24VDC Fan only)	2

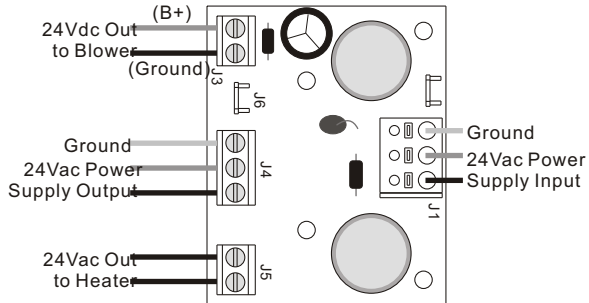
## 6. WIRING DIAGRAM

### \* HEATER

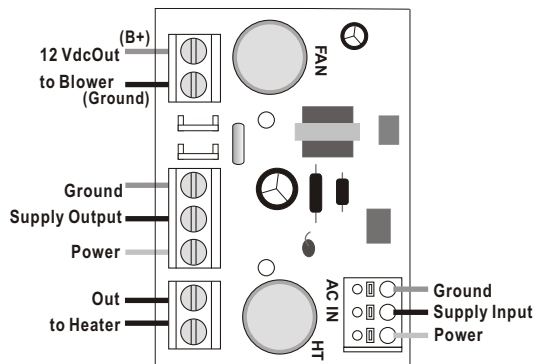


AC24V /AC120V /AC230V Heater PCB

### \* HEATER AND BLOWER



24 Vac



120/230 Vac

※ **POWER** : Use of Listed Class 2 power source.

## 7. BLOWER (OPTIONAL)

Power Supply: 24 Vac or 120/230 Vac

Power Consumption: 3.4W

Blower ON:  $t^{\circ}\text{C} > 35^{\circ}\text{C} \pm 3^{\circ}\text{C}$   
 $T^{\circ}\text{F} > 95^{\circ}\text{F} \pm 5^{\circ}\text{F}$

Blower OFF:  $t^{\circ}\text{C} < 20^{\circ}\text{C} \pm 3^{\circ}\text{C}$

## 8. HEATER (OPTIONAL)

Power Supply: 24 Vac or 120/230 Vac

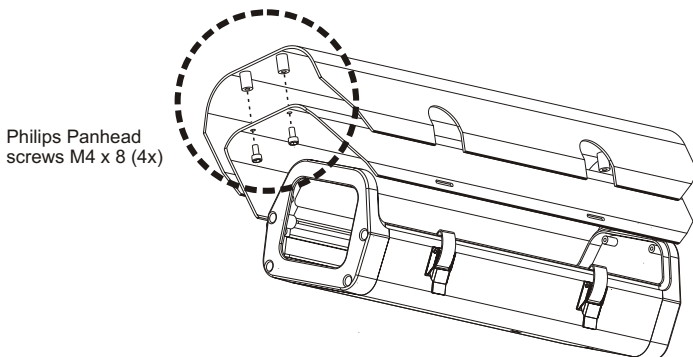
Power Consumption: 20W

Heater ON:  $t^{\circ}\text{C} < 5^{\circ}\text{C} \pm 3^{\circ}\text{C}$   
 $T^{\circ}\text{F} < 41^{\circ}\text{F} \pm 5^{\circ}\text{F}$

Heater OFF:  $t^{\circ}\text{C} > 15^{\circ}\text{C} \pm 3^{\circ}\text{C}$

## 9. SUNSHIELD INSTALLATION

Mount the sunshield from the top of the housing. Align the hole and secure using the small four philips panhead screws.



## 10. SPECIFICATIONS

### Camera Housing

Maximum Camera and lens Size

Window Size

Construction

Finish

Camera Mounting

Housing Mounting

Rear Locking

Weight

Accepts camera & lens combinations (including BNC connector) up to:

11.5" L x 3.5" W x 2.5" H  
(29.21 cm x 8.89 cm x 6.35 cm)

.11-inch (3.0 mm) thick tempered glass  
2.42" H x 2.65" W (6.15 cm x 6.75 cm)

Die-cast, extruded, and sheet aluminum  
Light-gray polyester powder coat

Removable camera sled with  
Adjustable height

Two (2) 1/4" -20 tapped holes

Located at rear of housing  
available for security lock

Unit	Shipping
2.70 lb (1.23 kg)	3.03 lb (1.38 kg)

### Wall Bracket

Dimension (WxHxL)

Weight

Pan Adjustment

Tilt Adjustment

Locking Method

Wall Mounting Method

3.2 x 5.5 x 12.4 in. (80 x 140 x 315 mm)

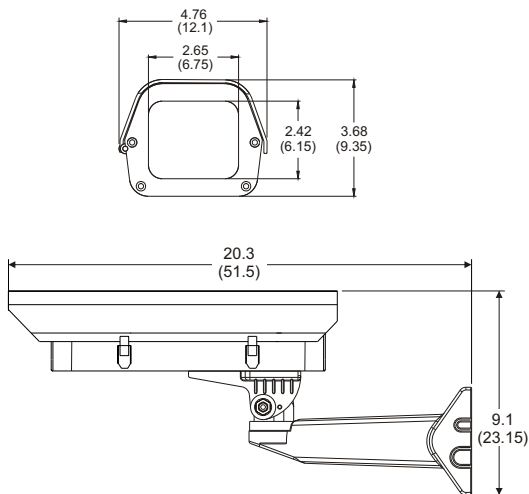
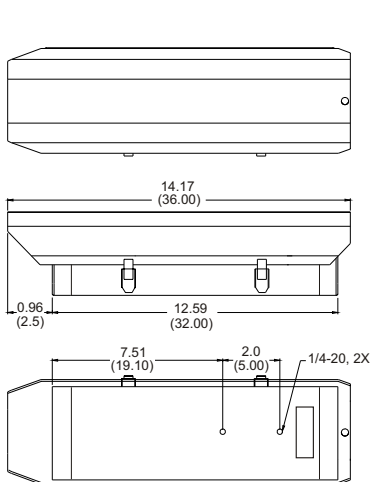
1.70 lb (0.77 kg)

360°

70°

Friction controlled through bolt tightening

4 holes for fasteners of a suitable size & type.  
Mount to a secure solid surface.



Unit: inch(cm)