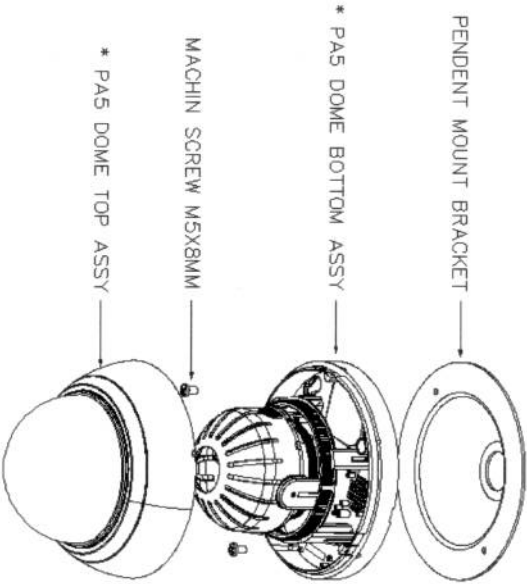


PENDENT MOUNT DOME BRACKET INSTALLATION

This mount is for use in PA5 DOME CAMERA HOUSING mounting application. Use the machine screw (M5x8L) to align the pendent mount bracket holes to dome housing holes.



PARTS LIST			
NO	PART NAME	QTY	DESCRIPTION
1	PENDENT MOUNT BRACKET	1	STEEL SHEET
2	MACHINE SCREW	2	M5 x L8

* NOT INVOLVED IN PRODUCT.

PRODUCT FEATURES

- Light duty Wall Mount
- Press & Steel Sheet
- Easy and safe to install

This mount is light duty wall mount
Designed for use with enclosure.

This mount is capable of supporting
Loads up to 2.2lb [1.0 kg]

SPECIFICATION

GENERAL	
Enclosure mounting	Machine screw [supplied]
Construction	Press & Steel Sheet
Finish	Polyester powder coat
Maximum load	2.2lb [1.0 kg]
Inlet dimension	26.5 ϕ
Dimension	See dimensional outline
Weight	Unit 0.55 lb [0.25 kg]

DIMENSION

