

# HJB400

## Conduit Box

This mount is a light-duty wall mount designed for use with enclosure.

### Product Features

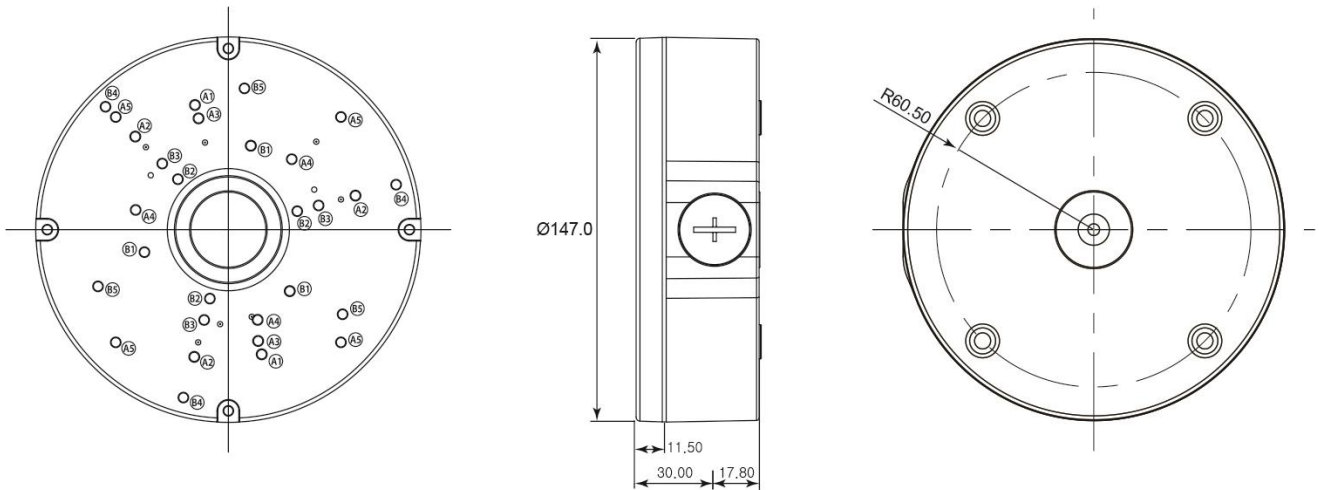
- Surface Mount
- Die cast and aluminum
- Maximum load 11 lbs
- Easy and safe to install

### Specifications

Enclosure Mounting ----- Machine screw (supplied)  
 Construction ----- Die cast and aluminum  
 Finish ----- Polyester  
 Maximum Load ----- 11 lbs  
 Inlet Dimension ----- PT 3/4  
 Dimensions ----- See dimensional outline  
 Weight ----- 1.45 lbs

### Dimensions

unit: mm



Hole	Diameter	Mount Point	Screw Spec
A1	98.0	2	M4x10 / BH
A2	100.0	3	M4x10 / BH
A3	87.5	2	M4x10 / BH
A4	71.0	3	M4x10 / BH
A5	121.0	4	M4x10 / BH
B1	66.0	3	M4x10 / BH
B2	54.2	3	M4x10 / BH
B3	72.0	3	M4x10 / BH
B4	132.0	3	M4x10 / BH
B5	108.0	3	M4x10 / BH

