

# USER MANUAL

## VP DOME NETWORK CAMERA

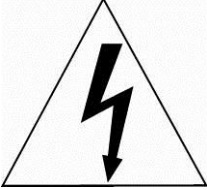



*Please read this manual thoroughly before use and keep it handy for future reference.*

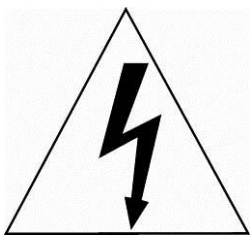
# WARNING

TO REDUCE THE RISK OF FIRE OR ELECTRIC SHOCK, DO NOT EXPOSE THIS PRODUCT TO RAIN OR MOISTURE. DO NOT INSERT ANY METALLIC OBJECTS THROUGH THE VENTILATION GRILLS OR OTHER OPENINGS ON THE EQUIPMENT.

# CAUTION

	<b>CAUTION</b> <b>RISK OF ELECTRIC SHOCK</b> <b>DO NOT OPEN</b>	
<b>CAUTION: TO REDUCE THE RISK OF ELECTRIC SHOCK, DO NOT REMOVE COVER (OR BACK) NO USER-SERVICEABLE PARTS INSIDE. REFER SERVICING TO QUALIFIED SERVICE PERSONNEL.</b>		

# EXPLANATION OF GRAPHICAL SYMBOLS



The lightning flash with arrowhead symbol, within an equilateral triangle, is intended to alert the user to the presence of uninsulated “dangerous voltage” within the product’s enclosure that may be of sufficient magnitude to constitute a risk of electric shock to persons.



The exclamation point within an equilateral triangle is intended to alert the user to the presence of important operating and maintenance (servicing) instructions in the literature accompanying the appliance.

# FCC COMPLIANCE STATEMENT

This device complies with Part 15 of the FCC Rules. Operation is subject to the following two conditions: (1) this device may not cause harmful interference, and (2) this device must accept any interference received, including interference that may cause undesired operation.

**FCC INFORMATION:** This equipment has been tested and found to comply with the limits for a Class A digital device, pursuant to Part 15 of the FCC Rules. These limits are designed to provide reasonable protection against harmful interference when the equipment is operated in a commercial environment. This equipment generates, uses, and can radiate radio frequency energy and, if not installed and used in accordance with the instruction manual, may cause harmful interference to radio communications. Operation of this equipment in a residential area is likely to cause harmful interference in which case the user will be required to correct the interference at his own expense.

**CAUTION:** Changes or modifications not expressly approved by the party responsible for compliance could void the user's authority to operate the equipment.

This Class A digital apparatus complies with Canadian ICES-003.

Cet appareil numérique de la classe A est conforme à la norme NMB-003 du Canada.

# CE COMPLIANCE STATEMENT

## **WARNING**

This is a Class A product. In a domestic environment this product may cause radio interference in which case the user may be required to take adequate measures.

# IMPORTANT SAFETY INSTRUCTIONS

---

1. Read these instructions.
2. Keep these instructions.
3. Heed all warnings.
4. Follow all instructions.
5. Do not use this apparatus near water.
6. Clean only with dry cloth.
7. Do not block any ventilation openings. Install in accordance with the manufacturer's instructions.
8. Do not install near any heat sources such as radiators, heat registers, stoves, or other apparatus (including amplifiers) that produce heat.
9. Do not defeat the safety purpose of the polarized or grounding-type plug. A polarized plug has two blades with one wider than the other. A grounding type plug has two blades and a third grounding prong. The wide blade or the third prong is provided for your safety. If the provided plug does not fit into your outlet, consult an electrician for replacement of the obsolete outlet.
10. Protect the power cord from being walked on or pinched particularly at plugs, convenience receptacles, and the point where they exit from the apparatus.
11. Only use attachments/accessories specified by the manufacturer.
12. Use only with the cart, stand, tripod, bracket, or table specified by the manufacturer, or sold with the apparatus. When a cart is used, use caution when moving the cart/apparatus combination to avoid injury from tip-over.
13. Unplug this apparatus during lightning storms or when unused for long periods of time.
14. Refer all servicing to qualified service personnel. Servicing is required when the apparatus has been damaged in any way, such as power-supply cord or plug is damaged, liquid has been spilled or objects have fallen into the apparatus, the apparatus has been exposed to rain or moisture, does not operate normally, or has been dropped.
15. **CAUTION – THESE SERVICING INSTRUCTIONS ARE FOR USE BY QUALIFIED SERVICE PERSONNEL ONLY. TO REDUCE THE RISK OF ELECTRIC SHOCK DO NOT PERFORM ANY SERVICING OTHER THAN THAT CONTAINED IN THE OPERATING INSTRUCTIONS UNLESS YOU ARE QUALIFIED TO DO SO.**
16. **Use satisfy clause 2.5 of IEC60950-1/UL60950-1 or Certified/Listed Class 2 power source only.**



# Table of Contents

<b>1 Introduction</b> .....	<b>6</b>
<b>1.1 Features</b> .....	<b>6</b>
<b>2 Installation and Configuration</b> .....	<b>7</b>
<b>2.1 Package Contents</b> .....	<b>7</b>
<b>2.2 Installing the Camera</b> .....	<b>7</b>
<b>2.3 Connections</b> .....	<b>8</b>
<b>3 OSD Menu</b> .....	<b>9</b>
<b>3.1 OSD Menu Structure</b> .....	<b>9</b>
<b>3.2 Lens</b> .....	<b>10</b>
<b>3.3 Exposure</b> .....	<b>10</b>
<b>3.4 Backlight</b> .....	<b>11</b>
<b>3.5 White Balance</b> .....	<b>11</b>
<b>3.6 Day &amp; Night</b> .....	<b>12</b>
<b>3.7 NR</b> .....	<b>12</b>
<b>3.8 Special</b> .....	<b>13</b>
<b>3.9 Adjust</b> .....	<b>15</b>
<b>3.10 Exit</b> .....	<b>15</b>
<b>4 Appendix</b> .....	<b>16</b>
<b>4.1 Specification</b> .....	<b>16</b>

# 1 Introduction

## 1.1 Features

- 1/2.9" SONY Exmor CMOS image sensor
- 2.8mm or 3.6mm fixed lens
- True D/N (Auto, Day, Night)
- IR LEDs
- HD-TVI, AHD, CVBS selectable
- Auto exposure control (1/50,000 ~ x30 second)
- White balance control (AWB, ATW, AWC, Indoor, Outdoor, Manual)
- BLC (Back Light Compensation)
- HSBLC (High Suppress Back Light Compensation)
- Digital WDR (Wide Dynamic Range)
- DNR (Digital Noise Reduction)
- 4 Privacy areas
- Defog
- 12VDC for Camera
- Use satisfy clause 2.5 of IEC60950-1/UL60950-1 or Certified/Listed Class 2 power source only.

## 2 Installation and Configuration

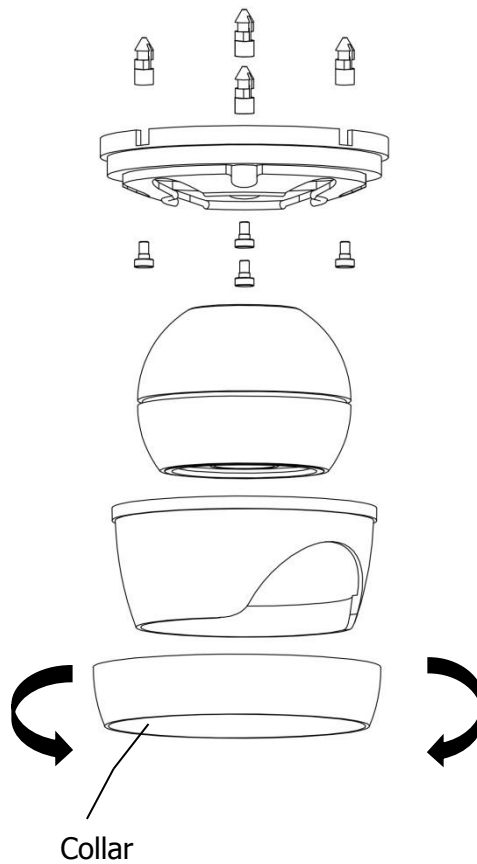
### 2.1 Package Contents

The package contains the following.

- **Camera** ..... 1
- **User Manual (This Document)** ..... 1
- **Accessory Kit** ..... 1

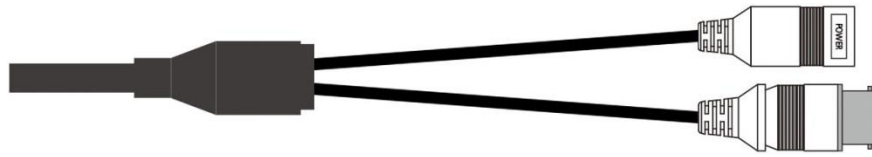
### 2.2 Installing the Camera

Carefully remove the contents from the box.



- 1) Loosen the collar
- 2) Fixed the base using screw and adjust camera position
- 3) Tighten the collar.

## 2.3 Connections



No.	Connector	Description
1	DC jack	Camera Power
2	BNC jack	Video Out

The camera must be installed by qualified service personnel in accordance with all local and federal electrical and building codes.

- **Connecting Video Output connector**

Connect the video output (BNC) connector to the video input.

- **Connecting the Power**

Connect power of 12VDC for the camera.

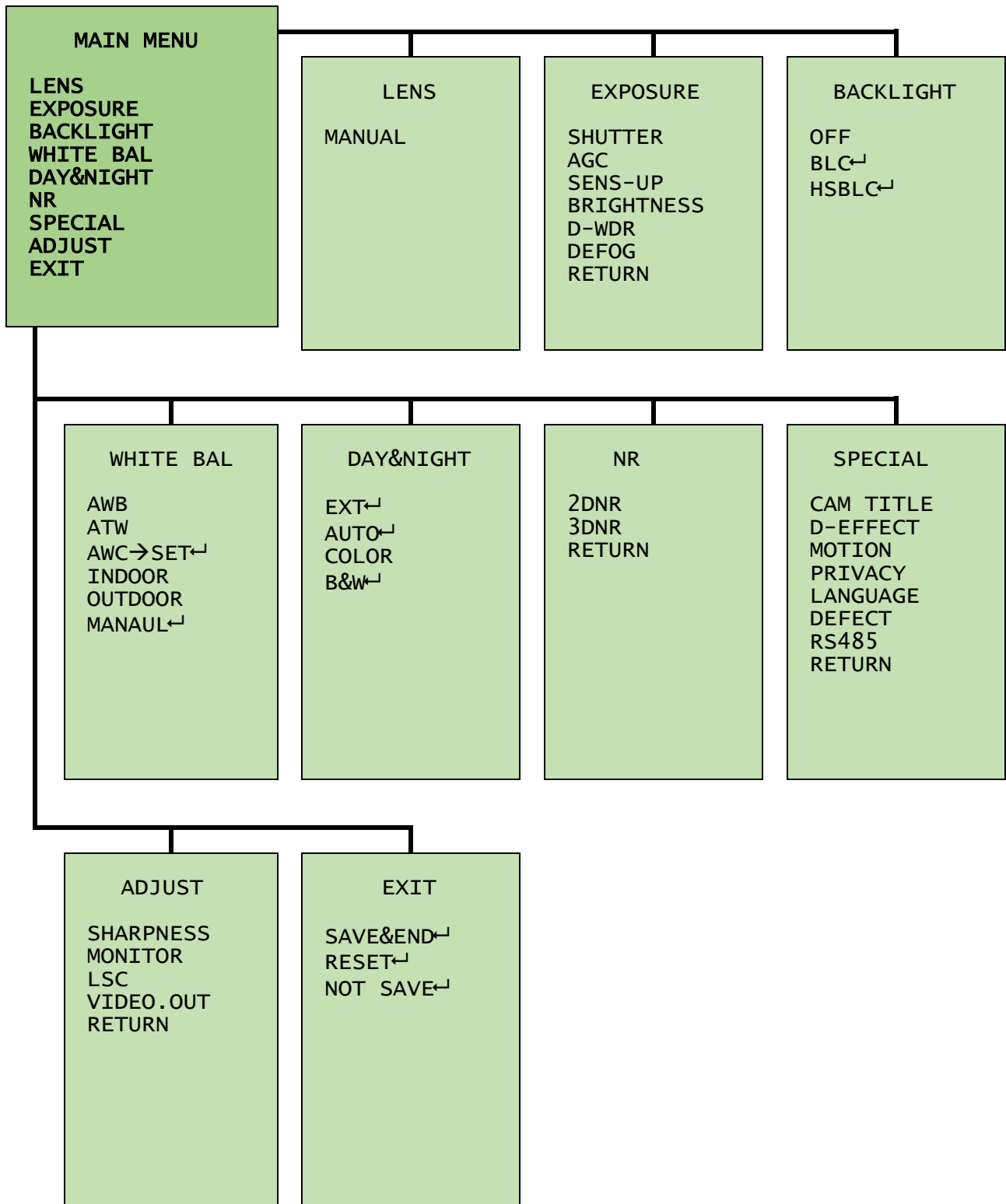
When using a 12VDC adapter, connect the positive (+) pole to the '+' position and the negative (-) pole to the '-' position.

Use satisfy clause 2.5 of IEC60950-1/UL60950-1 or Certified/Listed Class 2 power source only.



# 3 OSD Menu

## 3.1 OSD Menu Structure

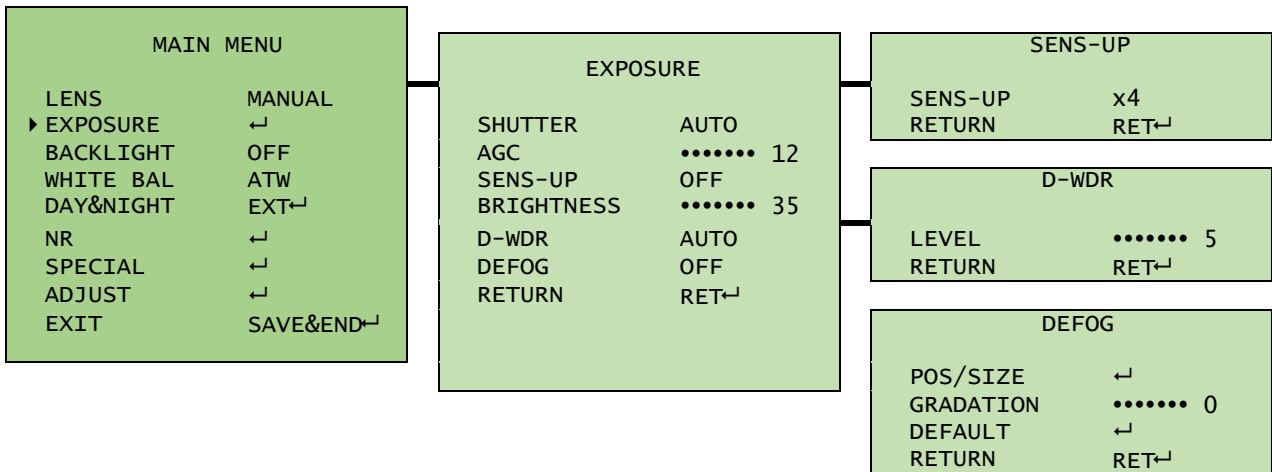


Note. OSD menu can be controlled by coaxial communication (UTC).

### 3.2 Lens

**MANUAL:** Select the lens Iris type. This camera is fixed to Manual Iris.

### 3.3 Exposure



**SHUTTER:** Select the Shutter speed level.

Auto, 1/25(30), 1/50(60), FLK, 1/200(240), 1/400(480), 1/1000, 1/2000, 1/5000, 1/10000, 1/50000, x2, x4, x6, x10, x15, x20, x25, x30

**AGC:** 1 to 15

**SENS-UP:** Select the Digital Slow Shutter level.

Off, **Auto**← Sens-up: x2, x4, x6, x10, x15, x20, x25, x30

**BRIGHTNESS:** Adjust the Brightness. 1 to 100

**D-WDR:** Select the Digital WDR. Auto, Off, **On**← Level: 0 to 8

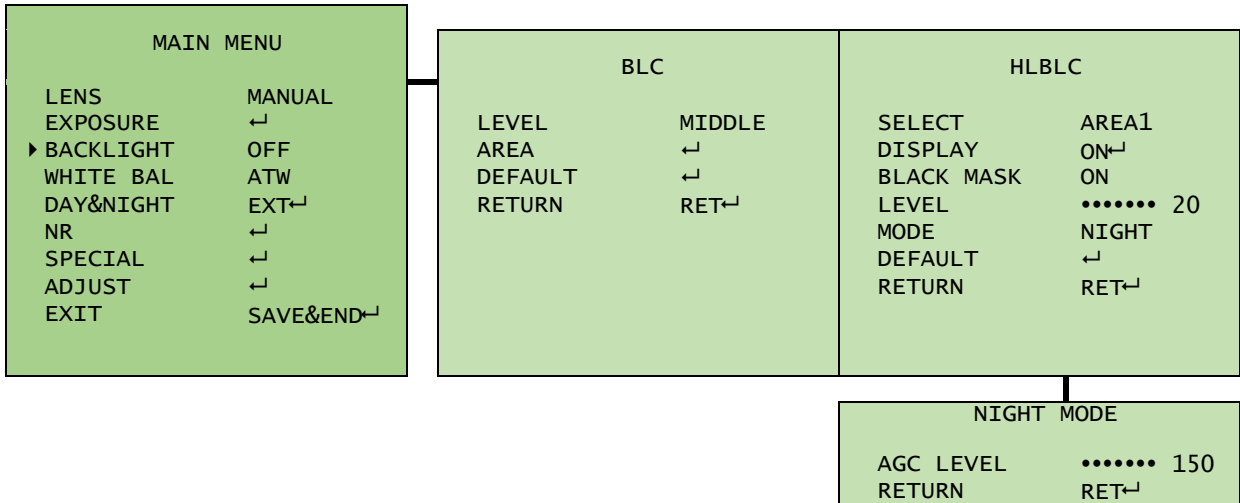
**DEFOG:** Select the Defog mode. Off, **Auto**←

Pos/Size: Use up, down, right, left buttons to adjust both position and size of area.

Gradation: 0 to 2

Default: Default Defog settings.

### 3.4 Backlight



#### OFF, BLC, HSBLC

**BLC:** Prevents such a back light effect to secure a clear image under all illumination environments.

Level: Low, Middle, High

Area: Use up, down, right, left buttons to adjust both position and size of area.

Default: Default BLC settings.

**HSBLC:** Mask the high light zone with specific color and level.

Select: Area1, Area2, Area3, Area4

Display: Off, **On**↵ Use up, down, right, left buttons to adjust both position and size of area.

Black Mask: Off, On

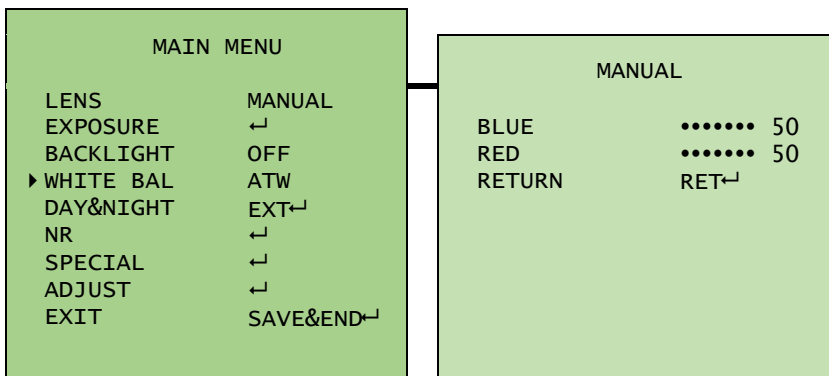
Level: 0 to 100

Mode: All day, **Night**↵ AGC Level: 0 to 255

Default: Default HSBLC settings.

### 3.5 White Balance

The screen color can be adjusted by using the White Balance function. It compensates for deviations in the white color caused by changes in the color temperature of the light source so that the colors are reproduced correctly.



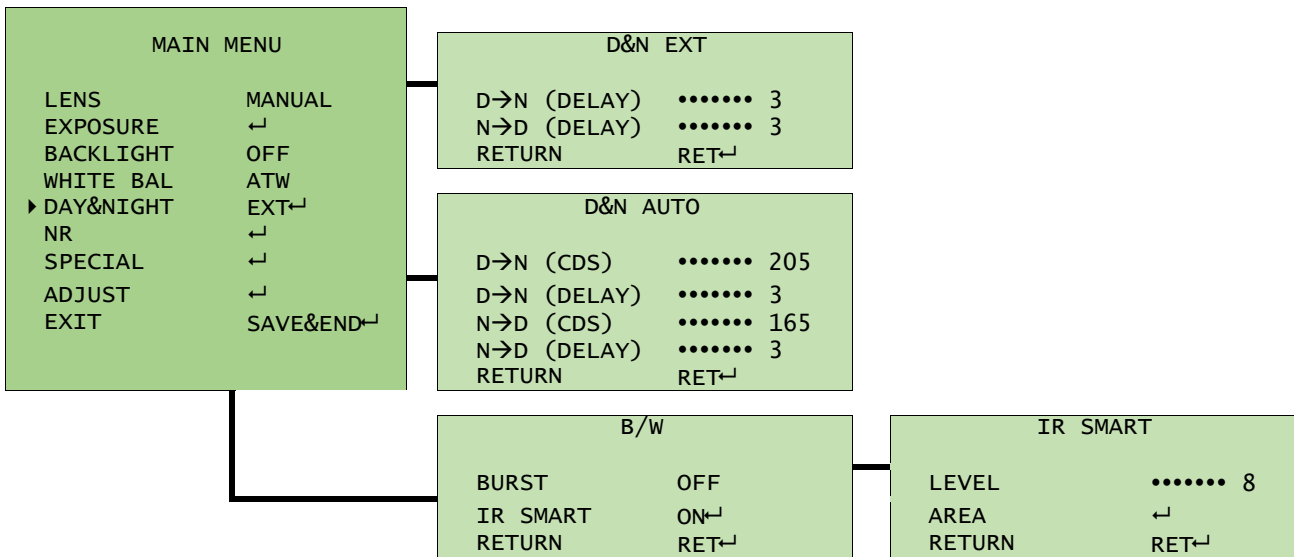
#### AWB, ATW, AWC→SET, INDOOR, OUTDOOR, MANUAL

**AWC→SET**↵ Push enter button to set the color balance.

**MANUAL**↵ Blue: 0 to 100

Red: 0 to 100

### 3.6 Day & Night



#### EXT, AUTO, COLOR, B/W

**EXT:** Day/ night mode is changed by external sensor on the IR board.

D→N (Delay): 0 to 60

N→D (Delay): 0 to 60

**AUTO:** Day/night mode is changed by AGC level of the video.

D→N (AGC): 0 to 255

D→N (Delay): 0 to 60

N→D (AGC): 0 to 255

N→D (Delay): 0 to 60

**COLOR:** Permanent color mode

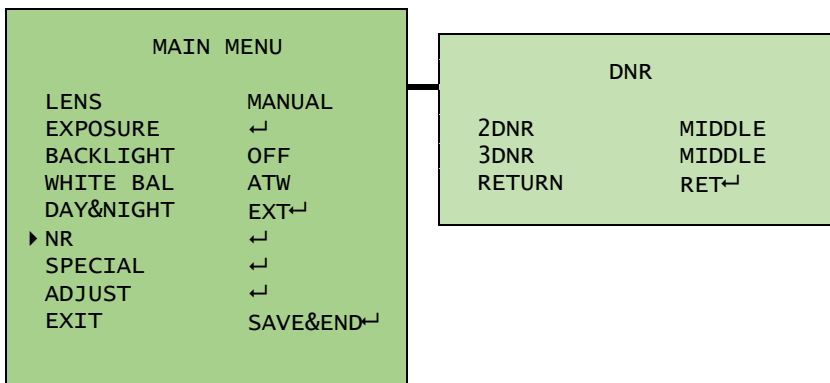
**B/W**↵ Burst: Off, On

IR Smart: Off, **On**↵ Level: 0 to 15

Area: Use up, down, right, left buttons to adjust both position and size of area.

### 3.7 NR

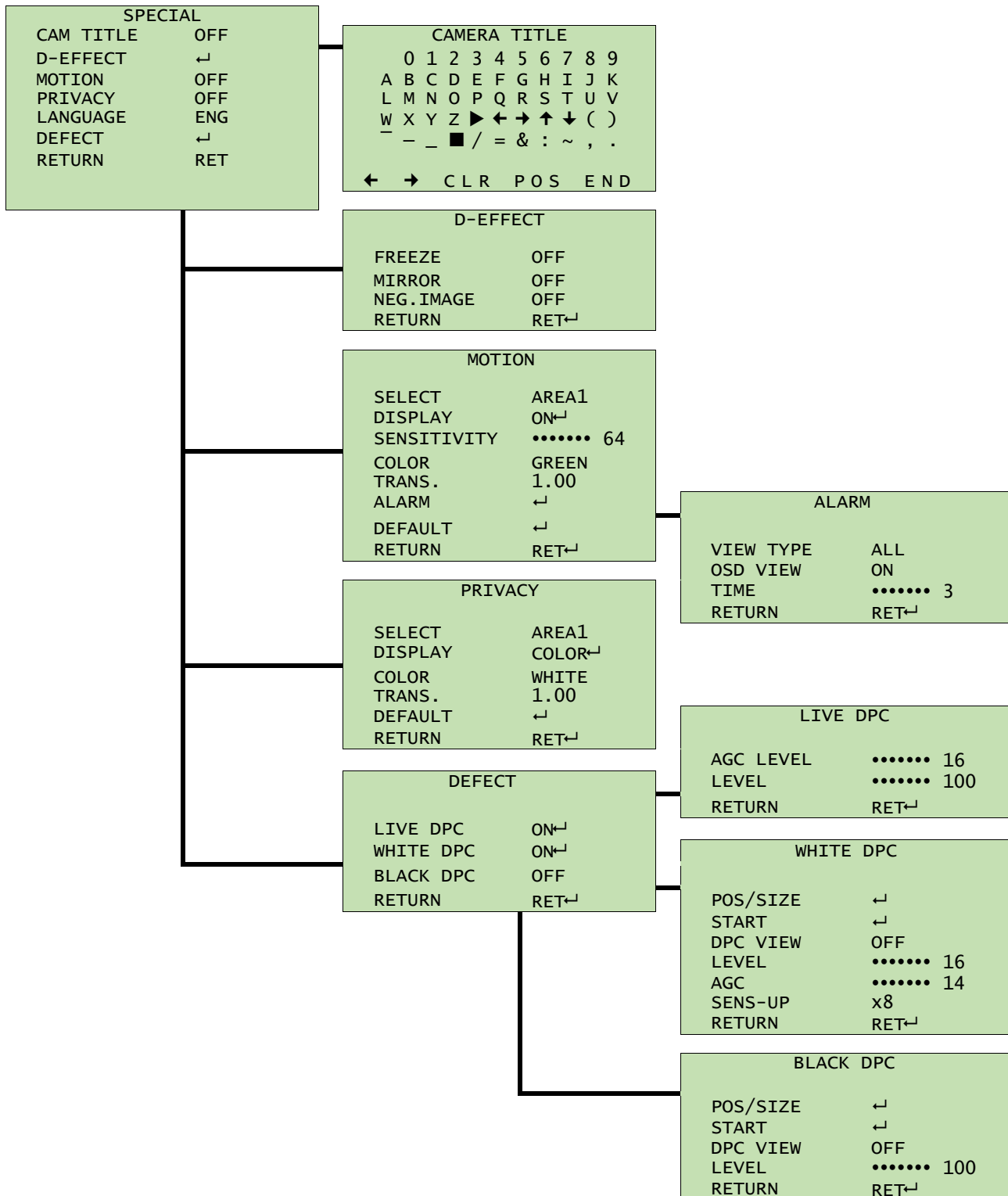
Select Digital Noise Reduction mode.



**DNR:** 2DNR: Off, Low, Middle, High

3DNR: Off, Low, Middle, High

### 3.8 Special



**CAM TITLE:** 15 alpha-numeric characters

**D-EFFECT:** Freeze: Off, On  
Mirror: Off, Mirror, V-Flip, Rotate  
Neg.Image: Off, On

**MOTION:** Off, **On**↵ Select: Area1, Area2, Area3, Area4  
Display: Off / **On**↵ Use up, down, right, left buttons to adjust both position and size of area.

Sensitivity: 0 to 100  
Color: Green, Blue, White, Red  
Transparency: 0.00, 0.25, 0.75, 1.00  
Alarm: View Type: Off, Block, Outline, All  
OSD View: Off, On  
Time: 0 to 15  
Default: Default Motion settings.

**PRIVACY:** Off, **On** Select: Area1, Area2, Area3, Area4  
Display: Off, **Mosaic**, **Inversion**, **Color:** Use up, down, right, left buttons  
to adjust both position and size  
of area.  
Color: User, White, Black, Red, Blue, Yellow, Green, Cyan  
Transparency: 0.25, 0.50, 0.75, 1.00  
Default: Default privacy settings.

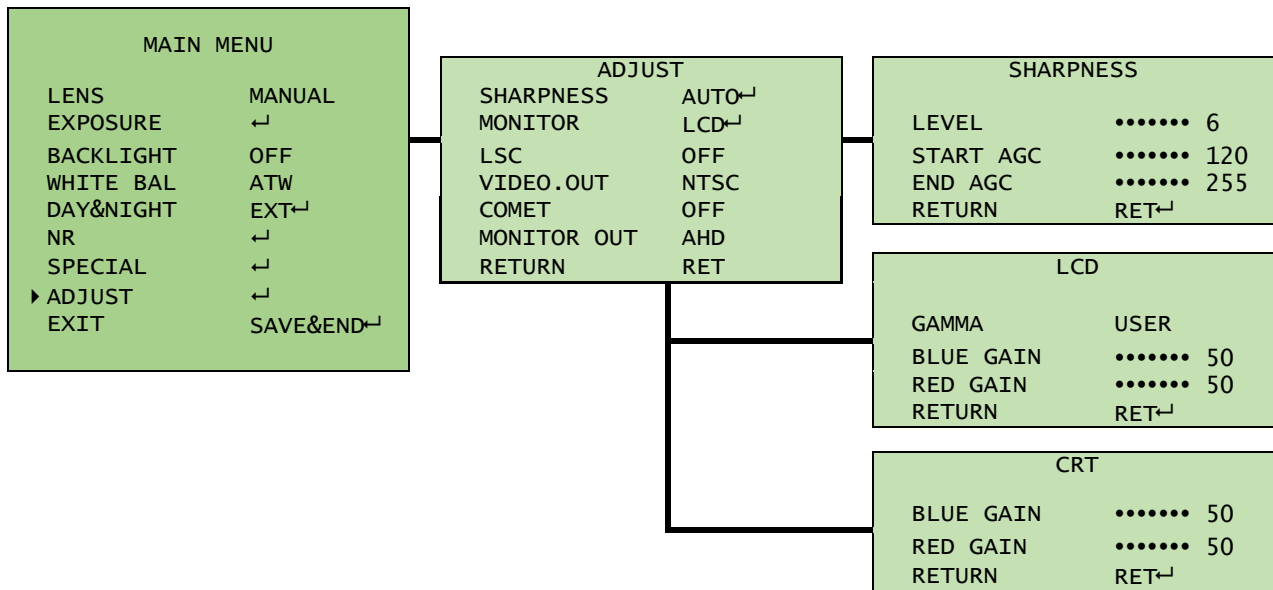
**LANGUAGE:** ENG (English), CHN1 (Chinese 1), CHN2 (Chinese 2), GER (German),  
FRA (French), ITA (Italian), SPA (Spanish), POL (Polish), RUS (Russian),  
POR (Portuguese), NED (Dutch), TUR (Turkish)

**DEFECT:** Live DPC: Off, **On** AGC Level: 0 to 255  
Level: 0 to 100

White DPC: Off, **On** Pos/Size: Use up, down, right, left buttons to adjust  
both position and size of area.  
Start: Close the iris then press enter button.  
DPC View: Off, On  
Level: 0 to 60  
AGC: 0 to 14  
Sens-up: x2, x4, x6, x8, x10, x15, 20, x25, x30

Black DPC: Off / **On** Pos/Size: Use up, down, right, left buttons to adjust  
both position and size of area.  
Start: Press enter button.  
DPC View: Off / On  
Level: 0 to 100

### 3.9 Adjust



**SHARPNESS:** Off, **Auto**← Level: 0 to 10  
Start AGC: 0 to 255  
End AGC: 0 to 255

**MONITOR:** LCD← Black Level: 0 to 60  
Gamma: User, 0.45, 0.50, 0.55, 0.60, 0.65, 0.70, 0.75, 0.80, 0.85, 0.90,  
0.95, 1.00  
Blue Gain: 0 to 100  
Red Gain: 0 to 100  
CRT← Blue Gain: 0 to 100  
Red Gain: 0 to 100

**LSC:** Select the Lens Shading Compensation. Off, On

**VIDEO OUT:** Select PAL or NTSC

**COMET:** Off, On. It can improve CVBS image quality.

**MONITOR OUT:** Select AHD, HD(TVI) or CVBS

### 3.10 Exit

**SAVE&END:** Save and exit OSD menu.

**RESET:** Full factory reset

**NOT SAVE:** Exit the OSD without saving settings.

## 4 Appendix

### 4.1 Specification

Model		2.8mm	3.6mm
<b>IMAGE</b>			
Lens		Fixed 3.6mm F2.0	Fixed 3.6mm F2.0
Image Sensor		1/2.9" Sony Exmor CMOS	1/2.9" Sony Exmor CMOS
Effective Pixels		1,985(H) x 1,105(V)	1,985(H) x 1,105(V)
Min. Illumination		Color: 1.0Lux@F1.6, 50IRE BW: 0Lux@IR LED On	Color: 1.0Lux@F1.6, 50IRE BW: 0Lux@IR LED On
Scanning Mode		Progressive Scan	Progressive Scan
Sync. System		Internal	Internal
Day and Night Mode		True D/N(Auto, Color, B&W)	True D/N(Auto, Color, B&W)
Wide Dynamic Range		Yes	Yes
Back Light Compensation		BLC, HSBLIC	BLC, HSBLIC
Noise Reduction		2DNR, 3DNR	2DNR, 3DNR
White Balance Control		AWB, ATW, AWC, Indoor, Outdoor, Manual	AWB, ATW, AWC, Indoor, Outdoor, Manual
Image Effect		Freeze, Mirror, Negative Image, LSC(Shading), Defog	Freeze, Mirror, Negative Image, LSC(Shading), Defog
Shutter Speed		Auto, 1/60, FLK ~ 1/50,000sec	Auto, 1/60, FLK ~ 1/50,000sec
Sens-up		Off, Auto(x2, x4, x6, x8, x10, x15, x20, x25, x30)	Off, Auto(x2, x4, x6, x8, x10, x15, x20, x25, x30)
IR Illuminator	Quantity	18 SMD IR LEDs	18 SMD IR LEDs
	Distance	20m	20m
S/N Ratio		More than 50dB(AGC off)	More than 50dB(AGC off)
<b>VIDEO</b>			
Resolution		1920x1080p	1920x1080p
Frame Rate		25/30fps	25/30fps
Video Output		TVI, AHD, CVBS Selectable	TVI, AHD, CVBS Selectable
Video Mode		NTSC, PAL Selectable	NTSC, PAL Selectable
<b>FUNCTION</b>			
Motion Detection		4 Zones	4 Zones
Privacy Masking		4 Zones	4 Zones
Defect Detection		Live DPC, White DPC, Black DPC	Live DPC, White DPC, Black DPC
Monitor		CRT, LCD	CRT, LCD
Language		ENG, CHN1, CHN2, GER, FRA, ITA, SPA, POL, RUS, POR, NED, TUR	
OSD Setup		Coaxial Control(UTC)	Coaxial Control(UTC)
<b>EXTERNAL IN/OUT</b>			
Power Input		DC Jack	DC Jack
Video Output		BNC Connector	BNC Connector
<b>ETC</b>			
Operating Humidity		0 ~ 96%RH(Non-condensing)	0 ~ 96%RH(Non-condensing)
Operating Temperature		-20℃ ~ +50℃	-20℃ ~ +50℃
Power Supply		DC12V ± 10%	DC12V ± 10%
Power Consumption		450mA(5.4W)	450mA(5.4W)
Dimensions		xxØ x xx(H)mm	xxØ x xx(H)mm
Net Weight		Approx. 260g	Approx. 260g
Ingress Protection		IP66	IP66

※ Specifications are subject to change without notice.



# HD TURRET CAMERA

5030xxxxA