

FULL HD BULLET CAMERA



Please read this manual thoroughly before use and keep it handy for future reference.

FCC COMPLIANCE STATEMENT

This device complies with Part 15 of the FCC Rules. Operation is subject to the following two conditions: (1) this device may not cause harmful interference, and (2) this device must accept any interference received, including interference that may cause undesired operation.

FCC INFORMATION : This equipment has been tested and found to comply with the limits for a Class A digital device, pursuant to Part 15 of the FCC Rules. These limits are designed to provide reasonable protection against harmful interference when the equipment is operated in a commercial environment. This equipment generates, uses, and can radiate radio frequency energy and, if not installed and used in accordance with the instruction manual, may cause harmful interference to radio communications. Operation of this equipment in a residential area is likely to cause harmful interference in which case the user will be required to correct the interference at his own expense.

CAUTION : Changes or modifications not expressly approved by the party responsible for compliance could void the user's authority to operate the equipment.

CE COMPLIANCE STATEMENT

WARNING : This is a Class A product. In a domestic environment this product may cause radio interference in which case the user may be required to take adequate measures.

IMPORTANT SAFETY INSTRUCTIONS

1. Read these instructions.
2. Keep these instructions.
3. Heed all warnings.
4. Follow all instructions.
5. Do not block any ventilation openings. Install in accordance with the manufacturer's instructions.
6. Do not install near any heat sources such as radiators, heat registers, stoves, or other apparatus (including amplifiers) that produce heat.
7. Only use attachments/accessories specified by the manufacturer.
8. Use only with the cart, stand, tripod, bracket, or table specified by The manufacturer, or sold with the apparatus. When a cart is used, Use caution when moving the cart/ apparatus combination to avoid Injury from tip-over.



9. **CAUTION** : *These servicing instructions are for use by qualified service personnel only. To reduce the risk of electric shock do not perform any servicing other than that contained in the operating instructions unless you are qualified to do so.*
10. *Use satisfy clause 2.5 of IEC60950-1/UL 60950-1 or Certified/Listed Class 2 power source only.*

EXPLANATION OF GRAPHICAL SYMBOLS



The lightning flash with arrowhead symbol, within an equilateral triangle, is intended to alert the user to the presence of uninsulated "dangerous voltage" within the product's enclosure that may be of sufficient magnitude to constitute a risk of electric shock to persons.



The exclamation point within an equilateral triangle is intended to alert the user to the presence of important operating and maintenance (servicing) instructions in the literature accompanying the product.

INTRODUCTION

The 1/2.9" 2.1M Full HD CMOS camera, especially for closed circuit television CCTV and security surveillance application.

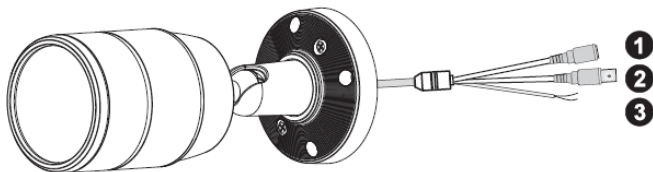
Features:

- High performance SONY 1/2.9" 2.1M EXMOR CMOS™
- 1.0 lux(Color), 0 lux(BW, IR LED ON)
- Auto electronic shutter [1/60(1/50) ~ 1/50,000] and manual electronic shutter modes
- 25/30fps @ 1080p
- Auto white balance mode (ATW)
- Day & Night (ICR) : Auto
- 3-DNR (Digital Slow Shutter)
- Smart IR
- 24EA, 850nm IR LED
- IR Range distance up to 25M
- Video Out BNC
- 2.8mm / 3.6mm Fixed Lens
- Operates in DC 12V \pm 10%
- Use Certified / Listed Class 2 Power source only
- Camera Mount : Camera mount directly to the wall or ceiling



IMPORTANT : The user of this camera is responsible for checking and complying with local, state, and federal laws and statutes concerning the recording and monitoring of audio signals.

CAMERA CONNECTIONS



1. Power : 12V DC input

Power source from a DC 12V +/-10%

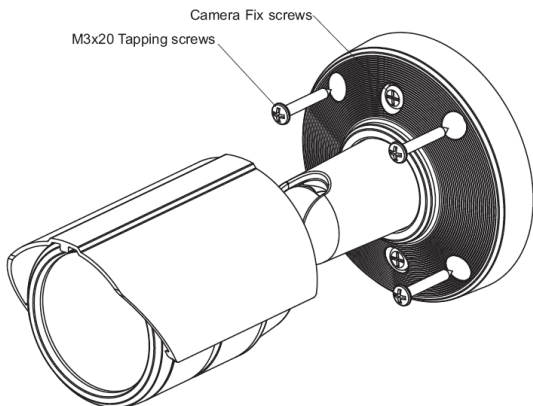
Use Certified/Listed Class 2 power source only.

*If using DC 12V power adaptor, use a power supply capable of supplying 5 Watts.

2. Video : BNC connector used to connect the camera to a DVR, etc.

- 3. Switch Cable :**
- Green & Black : open -> AHD signal BNC output
 - Green & Black : short -> CVBS signal BNC output

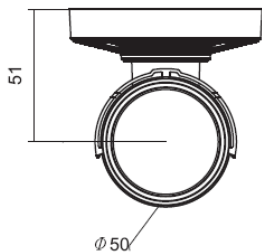
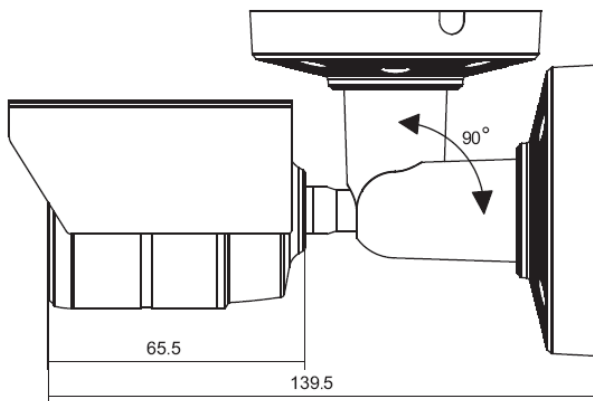
BASE INSTALLATION



Caution

"Adjusting the position of the camera after installation could potentially damage the cable"

EXTERNAL DIMENSION



Weight - Unit: 0.628 lb. (0.285kg)
Shipping: 0.936 lb. (0.425kg)

Unit: mm

SPECIFICATIONS

MODEL		2M HD Bullet CAMERA	
Power	Power Source	DC12V ± 10%	
	Power Consumption	MAX 4.5 Watts (370mA)	
General	Image sensor	1/2.9" 2.1M Sony CMOS	
	Total Pixels	2000(H) x 1121(V)	
	Active Pixels	1920(H) x 1080(V)	
	Scanning system	Progressive	
	Sync. System	Internal	
	Video Frame Rate	1920x1080p@25fps ; 1920x1080p@30fps	
	CVBS Resolution	1000 TVL	
	Min. illumination	1.0 lux(COLOR), 0 lux(BW, IR LED ON)	
	Video Output	BNC (AHD / CVBS Selectable)	
	IR	IR LED	24ea IR LED (850nm)
		DISTANCE	25M
	Camera Control	OSD Menu (coaxial control)	
S/N Ratio	More than 50dB (AGC off)		
Function	Auto Exposure	ON	
	Electronic Shutter	AUTO	
	White Balance	ATW (Auto)	
	Day & Night	AUTO	
	DNR	2D / 3D ON	
	AGC	ON	
	Gamma	AUTO	
Connector & etc.	Power input	DC Jack	
	Video out	BNC Connector(AHD/CVBS)	
	Transmission Distance	Over 500m via 5C-2V coaxial cable	
	Lens Mount	Fixed mount	
	Lens	f=2.8mm / 3.6mm F2.0 Fixed Lens, ICR (D&N)	
	Operating temperature	14°F ~ 122°F (-10°C ~ +50°C)	
	Operating humidity	0 ~ 96% (non-condensing)	
	External dimension	Φ50 x 139.5 mm	
	Weight	285g	
	Ingress Protection	IP66	