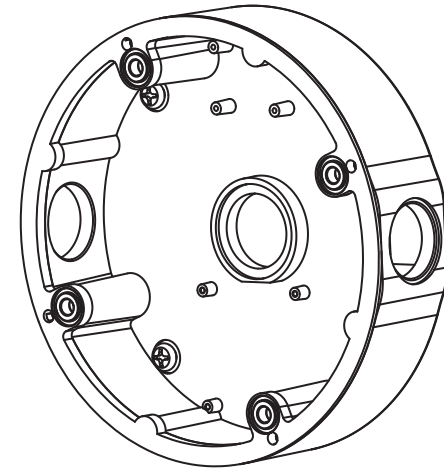


# CONDUIT BOX



## PACKAGE CONTENTS

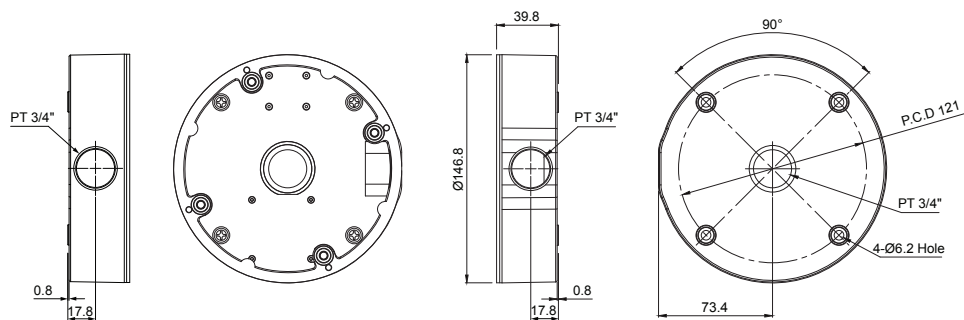
Carefully remove the contents from the box, and verify that nothing was damaged in shipment.

- Conduit box
- Accessory kit
- Manual
- Template sheet

## PARTS LIST

No.	Part name	Q'ty	Description
1	Conduit Base	1	AL
2	Conduit Gasket	1	Silicon
3	PT Plug(with O-Ring)	2	AL
4	Accessory	1	-
4-1	Screw	4	PTS1 6 x 30mm (Tapping)
4-2	Screw	4	BC M4 x 12mm
4-3	O-Ring	4	Rubber
4-4	Anchor	4	Plastic
4-5	Hole Glomat	1	Silicon

## DIMENSION DRAWING

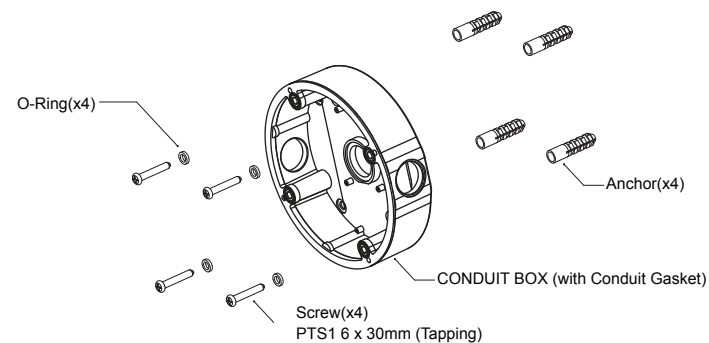


## SPECIFICATIONS

No.	Mechanical	Description
1	Dimension	See dimensional outline
2	Construction	Die cast and Aluminum
3	Finish	Polyester power coat
4	Weight (set+packing)	510g(420+90) / 1.123lb(0.925+0.198)

## BASE INSTALLATION

1. Use the base as a template on the wall or ceiling to mark the screw hole positions.
2. Using a 5mm bit, drill the 4 mounting holes
3. Push rawl plugs into holes
4. Secure base plate using the screws supplied.  
(Important – Use the supplied rubber o-ring on the screws on the inside of the base plate to ensure the base is waterproofed)
5. Make the necessary connections within the base, and then attach the dome housing using the supplied 4mm machine screws.



## CAMERA INSTALLATION

For external mounting only the conduit base with conduit gasket is used.

