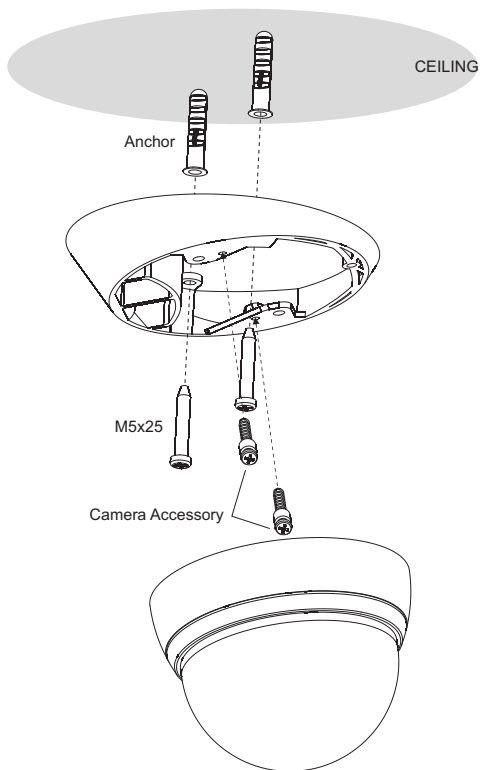
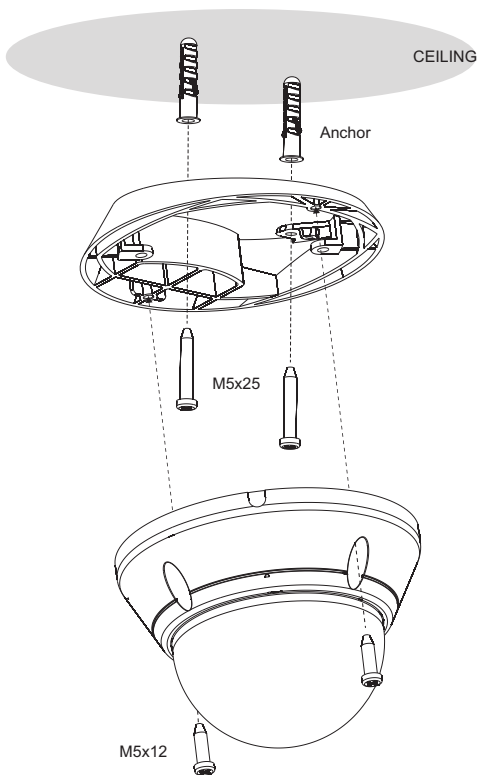


INSTALLATION



- 1) Make mounting holes and cable hole in the ceiling.
- 2) Attach the Angle Bracket to the ceiling using M5x25 screw and Anchor.
- 3) Tighten the Special screws on the Angle Bracket.(Refer to illustration)
- 4) Attach the Housing to the Angle Bracket, Turn the housing clockwise about 16 degrees to lock in place.

INSTALLATION



- 1) Make mounting holes and cable hole in the ceiling.
- 2) Attach the Angle Bracket to the ceiling using M5x25 screw and Anchor.
- 3) Attach the Housing to the Angle Bracket using M5x12 screw.