

HDA201P Pendant Cap

Light Duty Enclosure

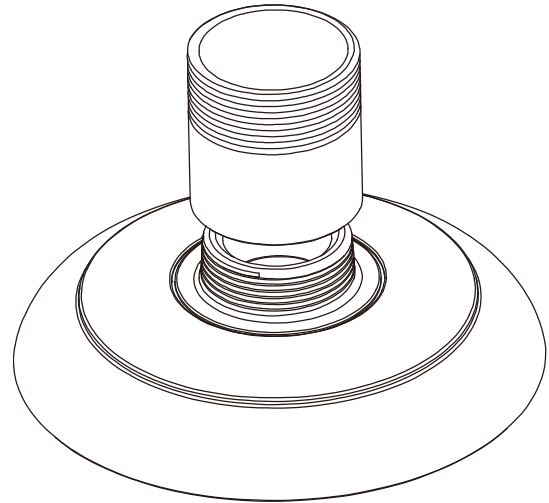
1. PACKAGE CONTENTS

- Light duty pendant cap
- Easy and safe to Install

2. SPECIFICATION > GENERAL

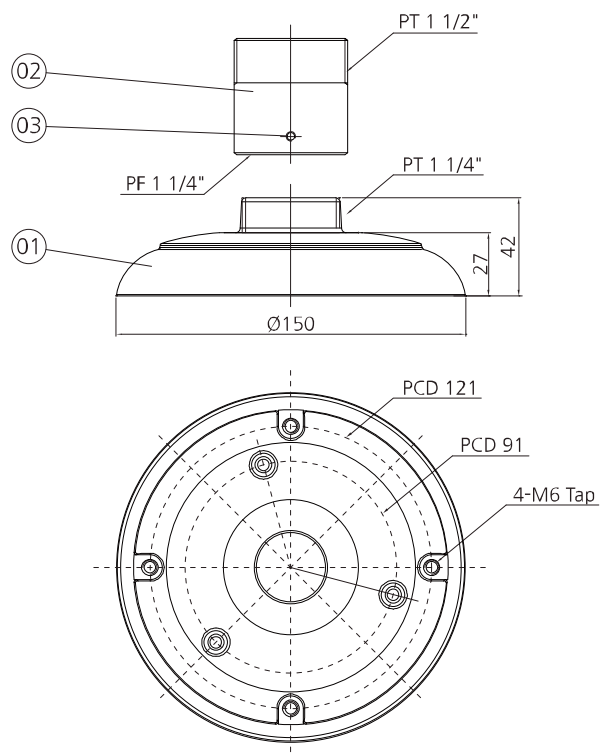
- Enclosure mounting Machine screw (supplied)
- Construction Die cast and aluminum
- Finish Powder coating
- Dimension See dimensional outline
- Weight Unit Shipping(5set/box)
0.66 lb(0.3kg) 4.41 lb(2kg)

Warning : Fasten the fixing screws of the dome camera firmly, of the dome camera could fall, causing injury.

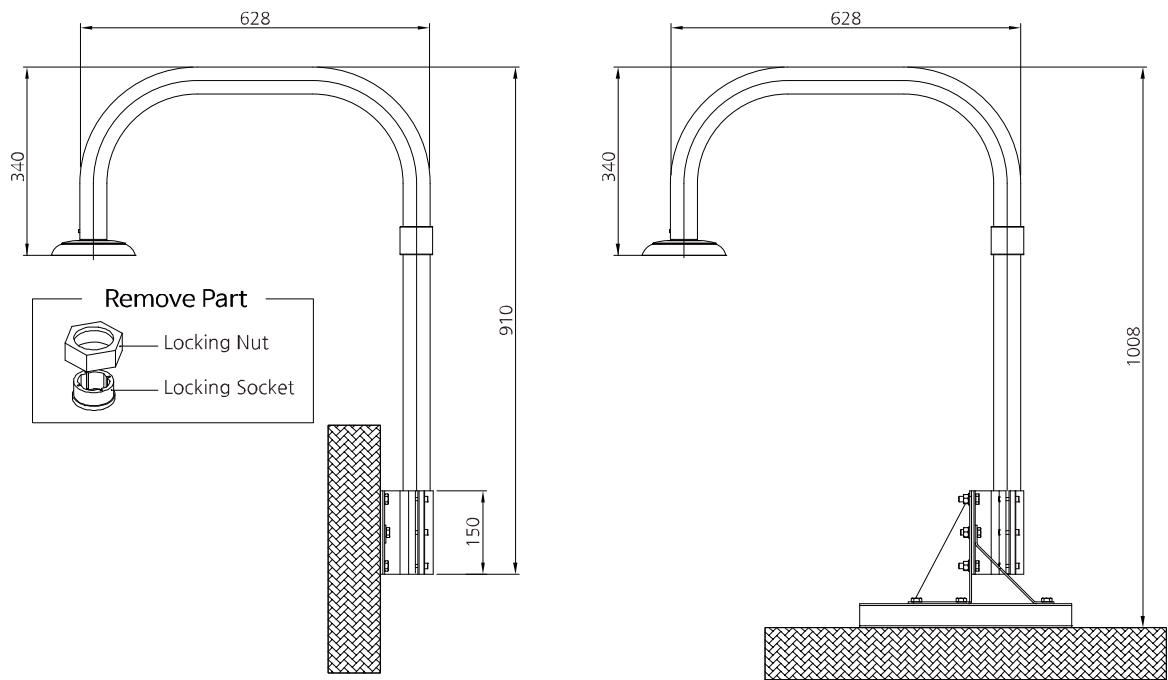


3. DIMENSION

NO	PART NAME	Q'TY	MATERIAL
1	DOME ADAPTER	1	AL
2	APAPTER SOCKET	1	AL
3	SET SCREW M5	1	SUS
4	ACCESSORY KIT	1	-



4. APPLICATION



PM304 Parapet Mount