

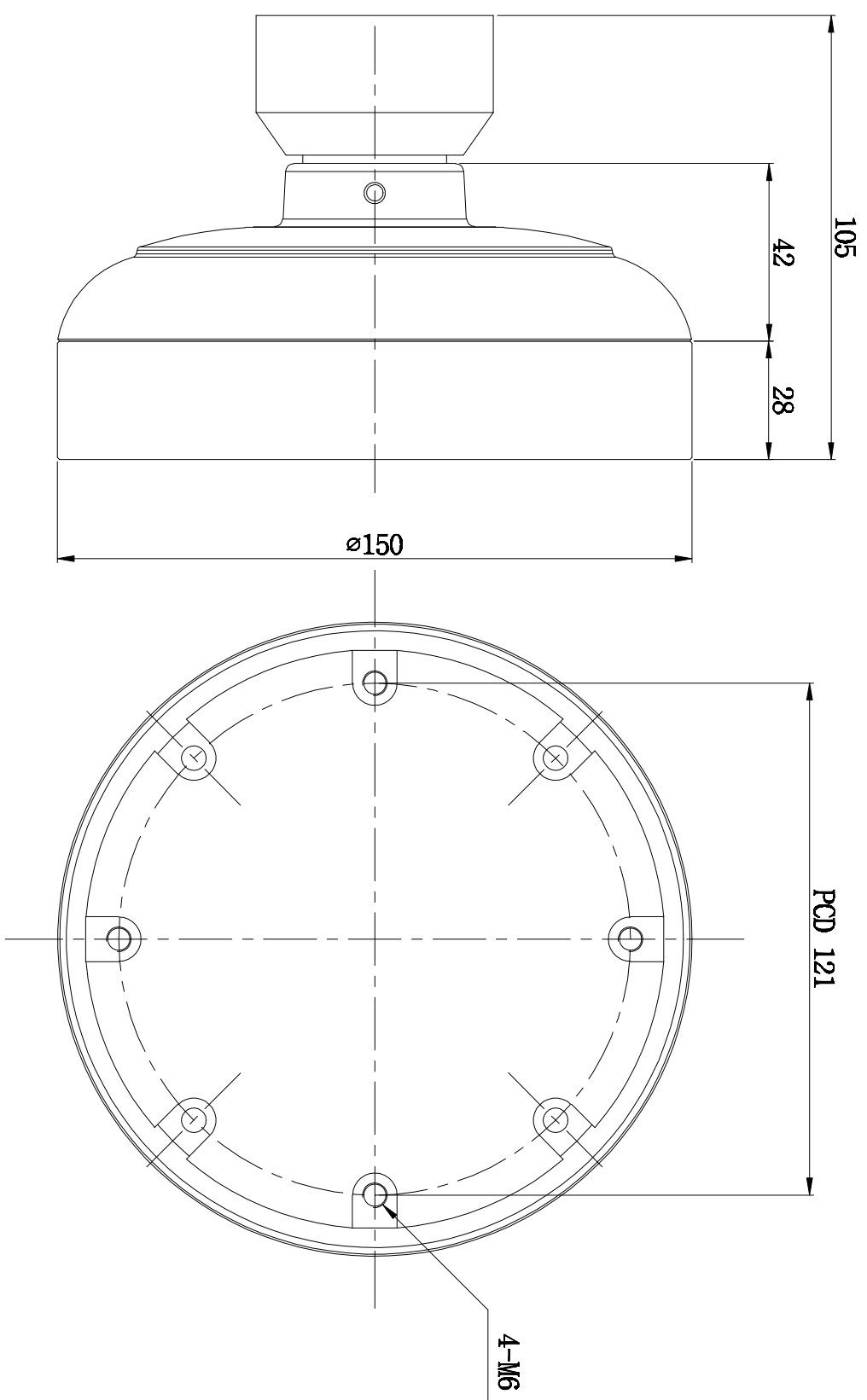
4

3

2

1

PRODUCTION RELEASE & REVISION			
REV	DESCRIPTION	BY	DATE
A	INITIAL		



A

B

A

B

4

3

2

1

Model Name		EOP Code		Finish		Brand		Remark	
APPROVALS		DATE		TITLE :		HDTITRON		HDA202_Dimension	
DESIGNER	DATE	SCALE	SIZE	NO.	REV.	DATE	NO.	REV.	DATE
		1:1	A3						

CAD File :