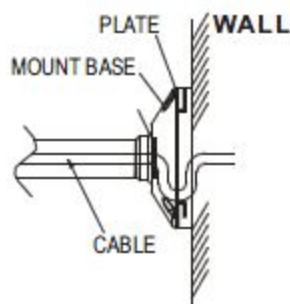
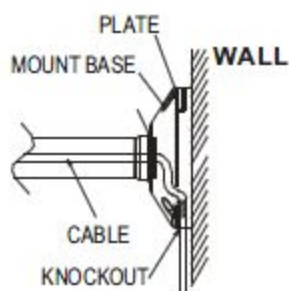


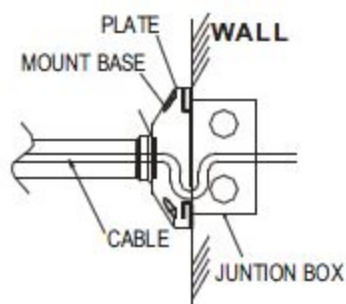
### 3. SPECIFICATIONS



1. Cable passing through the wall

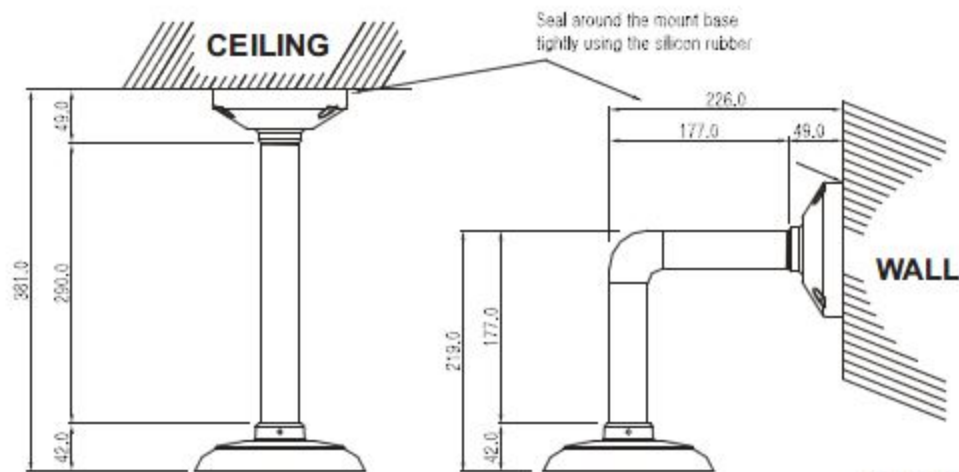


2. Cable on the wall (Remove the conduit knockout for cable passing through)



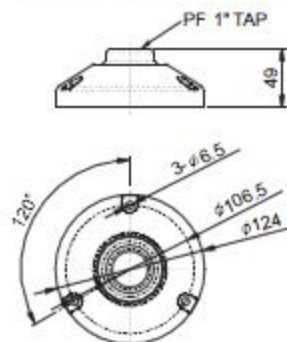
3. Cable Passing through the wall with the junction box (Attention to the plate side)

### 4. DIMENSION DRAWING



(Unit: mm)

#### [ Mount Base Size ]



<b>Pipe Specification</b>	1" PF TAP
<b>Construction</b>	Aluminum and steel
<b>Maximum Load</b>	Approx 11 lbs (5 kg)
<b>Weight - Unit Shipping</b>	Approx 2.6 lbs (1.3 kg) Approx 3.5 lbs (1.7 kg)