



Roof Mount

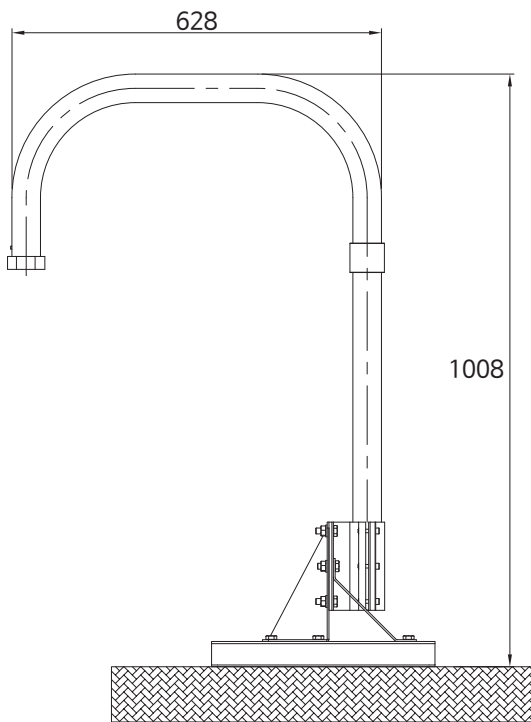
PRODUCT FEATURES

- . Easy to Install
- . Aluminum Construction
- . Maximum Load 20 Pounds (9 kg)
- . Use 1.5 inch NPT Pipe
- . Swivels for Easy Installation and Access to Dome



SPECIFICATIONS

MODEL



Unit: mm

DESCRIPTION

This unit is a middle-duty unit designed for Dome Camera System from the inside surface of a roof parapet or similar structure and onto roof.

The mount has a maximum load rating of 20 pounds (9 kg). The mount allows the mounted equipment to be swiveled in toward the roof to provide access for convenient rooftop servicing or adjustment.

GENERAL

Maximum Load	20 lb (9 kg)
Constructions	Aluminum, Steel & Stainless Hardware
Environment	Outdoor
Finish	Light-gray polyester powder coat
Dimension	See Figure
Unit Weight	22.5 lb (10.2 kg) approximate
Shipping Weight	25.4 lb (11.5 kg) approximate
Shipping Dimension - W x D x H	24.8 x 15.4 x 4.6 in (650 x 392 x 118mm)
Shipping Volume	1.0 ft ³ (0.03m ³)



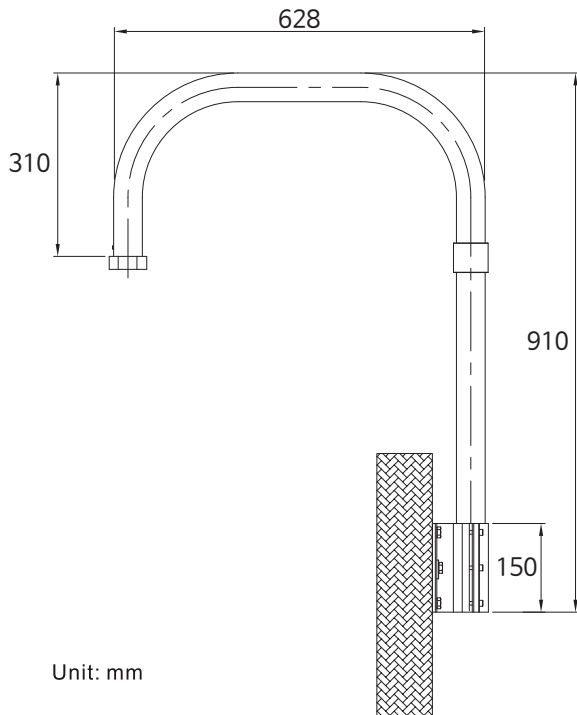
Parapet Mount

PRODUCT FEATURES

- . Easy to Install
- . Aluminum Construction
- . Maximum Load 20 Pounds (9 kg)
- . Use 1.5inch NPT Pipe
- . Swivels for Easy Installation and Access to Dome

SPECIFICATIONS

MODEL



DESCRIPTION

This parapet mount is a heavy-duty unit designed for Dome Camera System from the inside surface of a roof parapet or similar structure. This parapet mount has a maximum load rating of 20 pounds(9 kg). This parapet mount allows the mounted equipment to be swiveled in toward the roof to provide access for convenient rooftop servicing or adjustment.

GENERAL

Maximum Load	20 pounds(9 kg)
Constructions	Aluminum Pipe, Steel Bracket & Stainless Hardware
Environment	Outdoor
Finish	Light-gray polyester powder coat
Dimension-Height -Width	35 inch (91 cm) 25 inch (63 cm)
Unit Weight	7.8 lb (3.5 kg) approximate
Shipping Weight	11 lb (5 kg) approximate
Shipping Dimension -WxDxH	24.8 x 15.4 x 4.6 in (630 x 392 x 118mm)
Shipping Volume	1.0 ft ³ (0.03m ³)