



>>>USB KEYBOARD CONTROLLER



USB CONTROLLER **KB5000N**

- > Stylish Design Keyboard Controller capable of controlling PTZ Cameras and providing Remote Control Functions for NVR and DVR units
- > 16 x 2 Line LCD Display
- > Variable Speed Control Joystick with Zoom Controlling Handle
- > USB Interface Control
- > Multi-User Support (1-Master & Up to 3-Slave keyboards)
- > 2 Levels of Passwords are supported for Higher Security: Administrator and User.
- > Up to 254 Dome Cameras Controllable including 64 Dome Cameras with Alarm Mode
- > NVR and DVR Systems can be Controlled Remotely from each Controller Regardless Master or Slave
- > Up to Two Dome Cameras' Programmed Data can be Downloaded to Nonvolatile Memory Space, and Later Uploaded to new Dome Cameras
- > Program and Recall Programmed Preset Positions, Auto Scan, Tour, Pattern, for the Selected Dome Camera
- > Program Spot Monitor Switching in the KBD Controller Menu for up to 8 different Sequence Patterns
- > Battery backed-up clock displays real time on the LCD screen

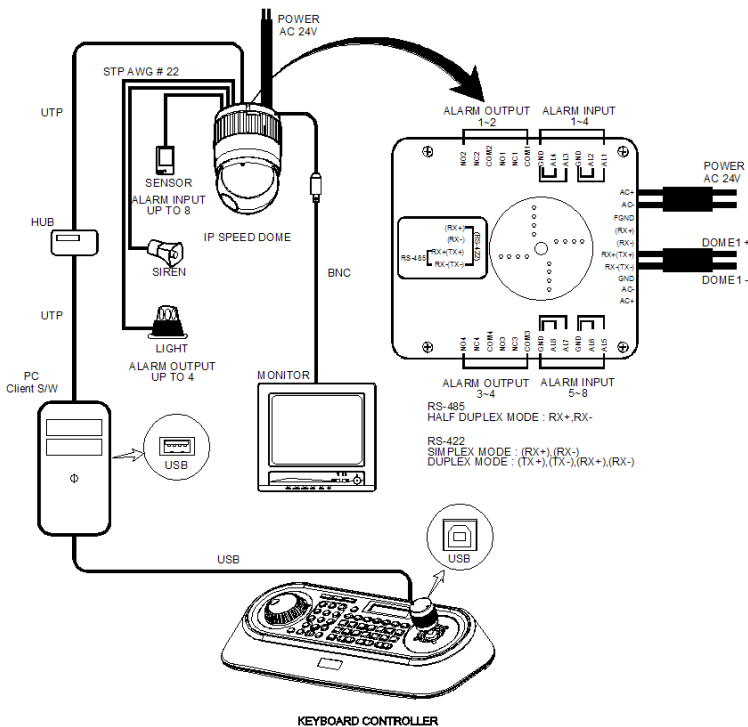
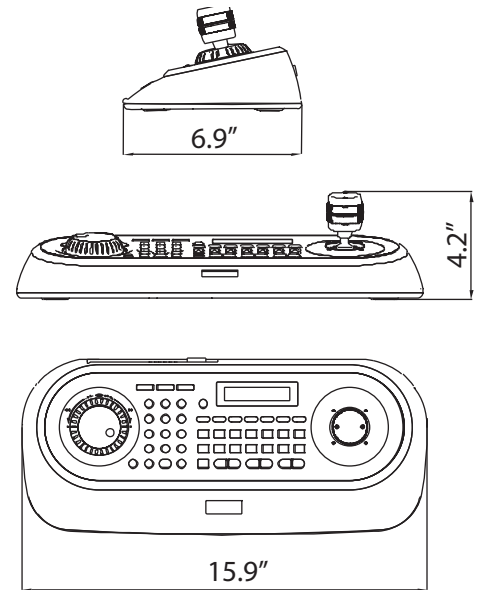
USB CONTROLLER KB5000N

ACCESSORIES

SPECIFICATIONS

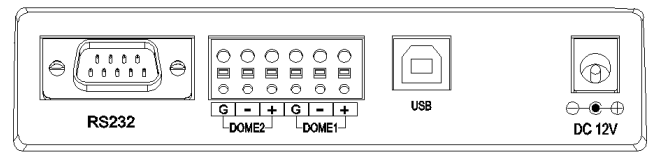
MODEL	KB5000N
LCD	16 X 2 Line LCD
Joystick	Zoom Handle
Input Voltage	12 VDC
Power Consumption	0.5A (6W)
Communications	RS-485/232 baud rate: 2400 ~38400 bps (default:9600bps)
Dome1 Port (RS-485)	Up to 127 Dome Cameras including 32 Alarm Mode on
Dome2 Port (RS-485)	Up to 127 dome cameras including 32 Alarm mode on / SLAVE KEYBOARD / DVR / NVR
RS-232	NVR / DVR / UPGRADE
USB	To the PC
Dimension	15.9 X 6.9 X 4.2 (Unit-inch) 405 x 176 x 107(Unit-mm)
Unit Weight	Approx 2.65lbs (1.2kg)
Operating Temperature	(32°F to 122°F) 0°C to 50°C
Operating Humidity	0 to 90%RH (non-condensing)
Conformity Certifications	CE EMC, FCC CLASS A

DIMENSIONS



Typical USB Configuration

Connectors



CONNECTOR	USAGE
RS232	RS232: NVR/DVR/UPGRADE
DOME2	RS485:DOME/NVR/DVR/MULTIPLEXER/SLAVE KEYBOARD
DOME1	RS485:DOME
USB	FOR USB TO A PC
DC12V	FOR POWER SUPPLY