



ADVANCED  
TECHNOLOGY  
VIDEO

ULTIMATE SERIES

>>>700TVL, TRUE DAY/NIGHT, WDR,  
INTERIOR DOME

INTERIOR DOME CAMERA  
**FD700WDR**



- > Ultra-High 700TVL Color Resolution
- > 1/3" Sony 960H Super HAD II CCD
- > TRUE Day/Night Performance ensures Highest Image Quality Anytime, Day or Night
- > 2.8~12mm Varifocal Auto-Iris Lens
- > True Wide Dynamic Range (WDR) Performance provides the most Detailed Image possible even under harsh Lighting Conditions
- > Ultra Sensitivity Minimum Illumination of Color : 0.1 Lux, B/W : 0.05 Lux; B/W : 0.00005(Sens-up)@ F1.2 50IRE
- > Motion Detection, Privacy Masking, Back Light Compensation and Sens-Up functionality
- > 3D Digital Noise Reduction for Increased Video Quality and Smaller Recorded Digital File Sizes
- > OSD (Joystick Switch)
- > 12VDC & 24VAC Power Options
- > Optional Wall and Pendant Mounts available

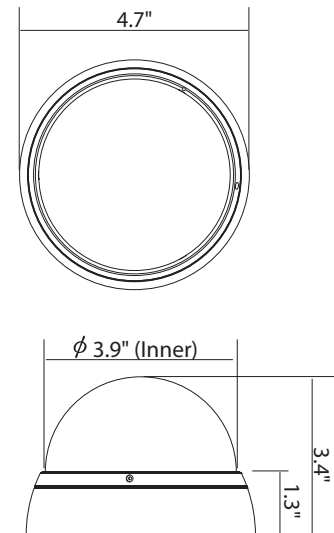
# INTERIOR DOME CAMERA FD700WDR

ULTIMATE SERIES

## SPECIFICATIONS

MODEL		FD700WDR
P O W E R	Power Source	DC 12V / AC 24V (+/- 10%)
	Power Consumption	3.5W(300mA)
V I D E O	Image Sensor	1/3" 960H Sony Super HAD II
	Effective Pixels	NTSC: 976(H)x494(V)
	Scanning System	2:1 Interlace
	Scanning Frequency	NTSC: 15.734KHz(H), 59.94Hz(V)
	Sync. System	Internal
	Electronic Shutter	1/60 ~ 1/120,000 sec
	Resolution	700TVL
	Min. Illumination	Color : 0.1 Lux, B/W : 0.05 Lux B/W : 0.00005(Sens-up)@ F1.2 50IRE
	Video Output	1.0Vp-p @ 75ohm, composite
	S/N Ratio	50dB (AGC Off)
F U N C T I O N	Camera Control	OSD (Joystick Switch)
	Day/Night	Day&Night (ICR Filter)
	White Balance	ATW(1700K11.000K) / Auto /One Push / Manual
	Auto Exposure	ELC /ALC
	AGC	Off / Low / Middle / High
	Shutter Speed	NTSC: 1/60 ~ 1/120,000 PAL: 1/50 ~ 1/100,000
	BLC	Off, BLC, HSBL, WDR
	MD (Motion Detection)	8 areas, adjustable size and sensitivity
	Brightness	0 ~ 100 steps
	Privacy Masking	Rectangle: 8 Areas, Circle: 4 Areas, Polygon: 2 Areas
	Sharpness	0 ~ 100 steps
	Sense-up	Off, Auto(4x), Manual(2x - 512x)
	Effects	Digital Zoom( ~16x), Defog, Mirror, V-flip, Rotate
	Image Enhancement (WDR)	Wide Dynamic Range : 68 dB
	Digital Image Effect	Digital Zoom (16x), Defog, Mirror, V-flip, Rotate
	Dynamic Noise Reduction	3D DNR (100 steps)
M E C H A N I C A L	Power Input	2-Pin / Terminal Block / DC Jack
	Video Output	BNC connector / Spot Out
	Lens	2.8-12mm Vari Focal Lens
	Operating Temperature	14°F ~ 122°F (-10°C ~ +50°C)
	Dimensions	4.7 x 3.4" (120 x 88mm)
	Weight	0.66lb (0.3kg)
	Conformity Certifications	FCC, CE, RoHS

## DIMENSIONS

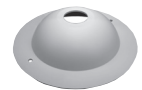


## ACCESSORIES

- DB244 Wall Mount
- PDA328 Pendant Mount
- WA401 Wedge Angle Adapter



DB244



PDA328



WA401