

SUPER HIGH RESOLUTION TRUE DAY/NIGHT, DIGITAL-WDR, INDOOR DOME



INDOOR DOME

FD600TDNW

- ▶ Superior Image Quality (600TVL) with Excellent Color Reproduction
- ▶ 1/3" Sony Super-HAD Color CCD
- ▶ Digital Wide Dynamic Range (D-WDR) for High Contrast Lighting Conditions
- ▶ TRUE Day/Night Functionality for Low Light Applications
- ▶ 2.8~12mm Varifocal DC Auto-Iris Lens
- ▶ Ultra Sensitivity Minimum Illumination of 0.14 Lux (Color), 0.03 Lux (B&W) @ F1.2, 30 IRE
- ▶ 3D-Digital Noise Reduction Technology for Increased Picture Quality and Smaller Recorded Digital File Sizes
- ▶ Privacy Masking (6 Point) / Motion Detection / Mirror Function / Digital Zoom
- ▶ Sense-Up (256x) for Extreme Low-Light Image Capture
- ▶ OSD (On Screen Display) with Tactile Joystick Switch
- ▶ Back Light Compensation (BLC) and Digital Image Stabilization (DIS)
- ▶ Test Monitor Output and Cable Supplied
- ▶ Optional Wall and Pendant Mounts available
- ▶ Dual Voltage 12VDC / 24VAC Capability

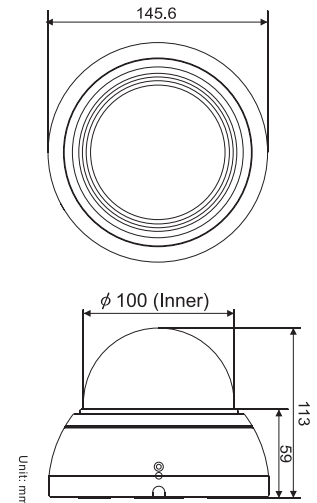
INDOOR DOME FD600TDNW

PERFORMANCE SERIES

SPECIFICATIONS

| MODEL | | FD600TDNW |
|--|--|---|
| P O W E R | Power Source | 12VDC / 24VAC +/- 10% |
| | Power Consumption | 4.0 Watts |
| G E N E R A L | Image Sensor | 1/3" Sony Super-HAD CCD |
| | Total Number of Pixels | 811(H) x 508(V) |
| | Scanning System | 2:1 Interlace |
| | Scanning Frequency | 15.734KHz(H) x 59.94Hz(V) |
| | Sync. System | Internal / Line Lock |
| | Electronic Shutter | 1/60 ~ 1/100,000 sec. |
| V I D E O | Resolution | 600TVL (Color) |
| | Min. Illumination | 0.14 Lux(Color), 0.03 Lux(B/W) @ F1.2, 30 IRE |
| E N G I N E R I E S | Video Output | 1.0 Vp-p, (75 ohms, Composite) |
| | S/N Ratio | >50dB (AGC OFF) (Sense-Up Off) |
| O P E R A T I O N | Camera Control | Tactile Switches, RS-485 (Fastrax, Pelco P & D) |
| | Auto Exposure | 1/60 / FLICKERLESS / 1/250 - 1/100,000sec |
| F U N C T I O N | Lens (Auto Iris Control) | DC / ELC |
| | Lens Level (Brightness) | 0-99 |
| | BLC | ON / OFF |
| | AGC | OFF / LOW / MIDDLE / HIGH |
| | Sense-Up | OFF / 256x |
| | Eclipse | OFF / ON |
| | 3D-DNR | OFF / LOW / MIDDLE / HIGH |
| | D-WDR | Off / On (0-20) |
| | White Balance | ATW / AWC / MANUAL / PUSH |
| | Day & Night | AUTO / Color / B&W / Ext |
| | Motion Detection | OFF / ON (Set Window, All Set, All Clear, Sensitivity, Show Indicator, Delay Out) |
| | Privacy Zone | OFF / ON (6 Point, Polygonal Mosaic) |
| | Display Title | OFF / ON |
| | Gamma | User, 0.45, 0.6, 1.0 |
| | Freeze | Off / On |
| | SLC | Off / On (0-50) Side Light Compensation |
| | DPC | Off / Auto (White, Black, DPC Level) Dead Pixel Cancellation |
| | Video Picture | POSI / NEGA |
| | Sharpness | 0~49 |
| | Mirror | Off / Mirror / V-Flip / ROTATE |
| | Digital PTZ | Pan (-128 to 127), Tilt (-82 to 81), Zoom (3x) |
| | Sync | INT/AUTO |
| | Camera ID | 1 ~ 254 |
| DIS | Off / On (Digital Image Stabilization) | |
| V-Phase (Line Lock) | 0-199 | |
| C O N N E C T O R | Power Input | 2-Pin Terminal Wire |
| | Video Output | BNC |
| | RS-485 | 2-Pin Wire |
| | Lens Mount | Fixed Mount |
| | Lens | 2.8~12mm DC Auto-Iris |
| | Operating Temperature | 14°F ~ 131°F (-10°C ~ +55°C) |
| | Operating Humidity | 0 ~ 96% (non-condensing) |
| | External Dimension | 5.73" Base Diam. x 4.45" High (145.6mm Base Diam. x 113mm High) |
| | Weight (Unit) | 0.88lb. (0.4kg) |
| | Conformity Certifications | FCC, UL, CE, RoHs |

DIMENSIONS

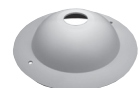


ACCESSORIES

DB243W Wall Mount, White
PDA5W Pendant Mount, White



DB243W



PDA5W