

COVERT COLOR CAMERAS

HEIGHT-STRIP (HS) DAY / NIGHT COVERT COLOR CAMERA

CHVD37PB - Black CHVD37PS - Silver

- ▶ High Resolution (600TVL) Day / Night Color Camera in a Covert Height-Strip Housing
- ▶ Graduated and Color Coded height measurements in U.S. or Metric dimensions
- ▶ 3.7mm Fixed Iris Pinhole Lens
- ▶ Swivel Bracket Allows Adjustment of the Camera's View to Accommodate Double Doors
- ▶ Available in Black or Silver Aluminum Housing to Match Standard Commercial Door Frames
- ▶ Unique 5° Vertical Tilt lever on Back of Camera for Adjusting Vertical Camera Angle
- ▶ Position of Camera in Housing is Adjustable from the 5'-6" Level (default) to the 5' Level
- ▶ Digital Noise Reduction (2D-DNR), Auto Gain Control (AGC) and Side Light Compensation (SLC)
- ▶ Minimum Scene Illumination 0.1Lux (Color); 0.04Lux (B/W)
- ▶ 12VDC Power Supply included



MINI-STRIP (MS) DAY / NIGHT COVERT COLOR CAMERA

CSVD37PB

- ▶ High Resolution (600TVL) Day / Night Color Camera in a Covert Mini-Strip Housing
- ▶ 3.7mm Fixed Iris Pinhole Lens
- ▶ Unique Design Permits Horizontal (Above Door) and Vertical (Beside Door) Installations
- ▶ Swivel Bracket Allows Adjustment of the Camera's View to Accommodate Double Doors
- ▶ Black Anodized Aluminum Housing to Match Standard Commercial Doorframe
- ▶ Unique 5° Vertical Tilt lever on Back of Camera for Adjusting Vertical Camera Angle
- ▶ Digital Noise Reduction (2D-DNR), Auto Gain Control (AGC) and Side Light Compensation (SLC)
- ▶ Minimum Scene Illumination 0.1Lux (Color); 0.04Lux (B/W)
- ▶ 12VDC Power Supply Included



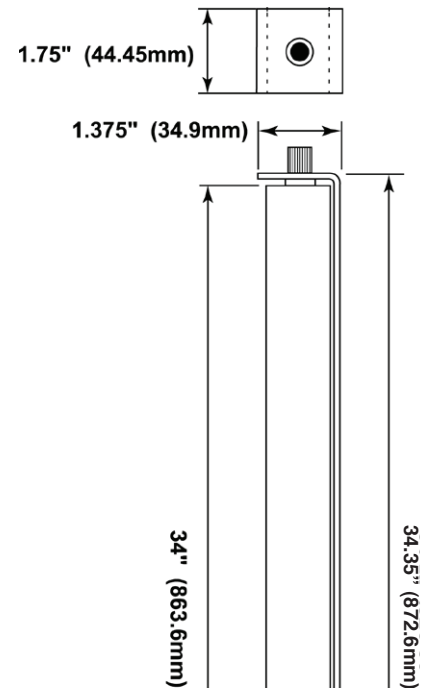
Height-Strip / Mini-Strip

SPECIFICATIONS

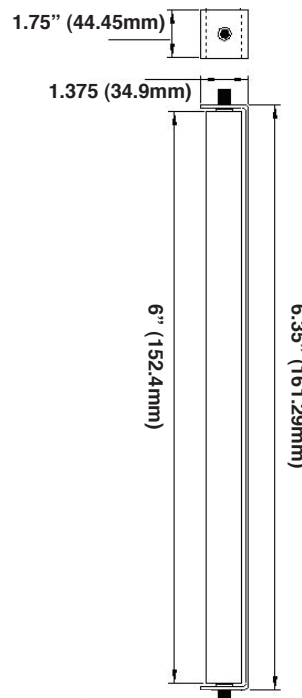
MODEL		CHVD37PB - Height-Strip Covert Camera, Black Housing
MODEL		CHVD37PS - Height-Strip Covert Camera, Silver Housing
MODEL		CSVD37PB - Mini-Strip Covert Camera, Black Housing
V I D E O	Image Sensor	1/3" CCD, 768 (H) x 494 (V) Pixels
	Resolution	600TVL Color; 700TVL B/W
	Pinhole Lens	3.7mm fixed iris
	Electronic Iris	1/60 ~ 1/100,000 Sec.
	Minimum Illum.	0.1Lux Color; 0.04Lux B/W; F1.2
	Video Output	1.0Vp-p (75-ohms), Video BNC
	Signal/Noise Ration	>50dB
	SLC	Auto
	2D-DNR	Auto
	AGC	On
	White Balance	Auto(ATW)
	Day/Night	Auto
G E N E R A L	Camera Connectors	BNC / Power
	Dimensions (WxHxD):	(HS) 1.75" x 34.35" x 1.375" (44.45mm x 872.6mm x 34.9mm) (MS) 1.75" x 6.3" x 1.375" (44.45mm x 161.4mm x 34.9mm)
	Weight	(HS) 2.8lbs (1.26kg) (MS) .72lbs (.325kg)
	Power	12 VDC, 130ma (1.5W)
	Operating Temperature	14°F ~ 122°F (-10°C ~ + 50°C)

DIMENSIONS

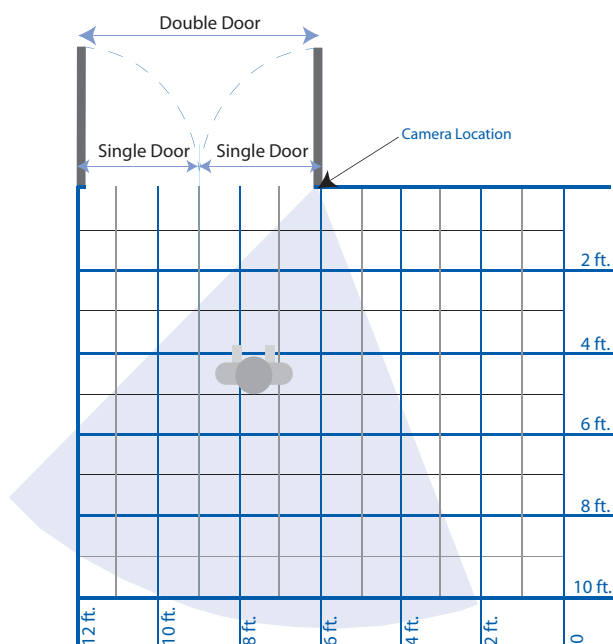
HEIGHT-STRIP (HS)



MINI-STRIP (MS)



Range of View from above with Camera



Line drawings are not to same scale.