



>>>700TVL, DIGITAL-WDR, IP66 RATED BULLET CAMERAS WITH IR LED'S

IR BULLET CAMERAS

BSS7212 BSS7550



- > Superior Image Quality (700TVL) with Excellent Color Reproduction
- > 1/3" Sony Super HAD Color CCD II
- > True Day / Night and Digital Wide Dynamic Range (D-WDR) Functionality for all Lighting Conditions
- > Varifocal Auto-Iris Lens in 2 configurations
- > 42 IR LED Lights for Night-Time Operation up to 100ft Range
- > 2D Digital Noise Reduction (DNR) Settings for increased Picture Quality and Lower File Sizes for Digital Recording
- > External Adjustments for Focal Length, Focus and On-Screen Display (OSD)
- > IP66 Rating and Through Mount Wiring (TMW)
- > Privacy Masking, Motion Detection and Auto Gain Control functions
- > Dual Voltage Operation (12VDC / 24VAC)
- > Optional Pole and Corner Mounts Available

IR BULLET CAMERAS

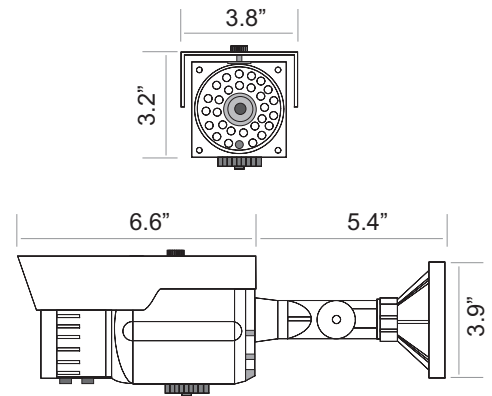
BSS7212 / BSS7550

PERFORMANCE SERIES

SPECIFICATIONS

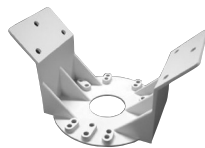
MODEL		BSS7212 -2.8-12mm VF AI Lens
MODEL		BSS7550- 5-50mm VF AI Lens
POWER	Power Source	12VDC / 24VAC (+-10%)
	Power Consumption	650mA (IR LED On)
GENERAL	Image Sensor	1/3" Sony Super HAD CCD II
	Picture Elements	976(H) x 494(V)
	Scanning System	2:1 Interlace
	Sync. System	Internal
	Electronic Shutter	1/60 ~ 1/100,000 sec
VIDEO	Resolution	700TVL
	Min. Illumination	0.1 lux (Color); 0.01Lux B/W (IR LED On)
	Video Output	1.0Vp-p @ 75ohm, composite)
	S/N Ratio	>58dB
	IR LED/SENSOR	42ea / Photo Sensor 1ea
	IR LED Lighting Distance	100ft (30M)
	Camera Control	Internal Tactile Joystick
	Motion Detection	OFF / ON
FUNCTION	Gamma	0.45
	BLC	OFF / BLC / HLC
	2D-DNR	NR-MODE / Y Level / C Level
	Digital WDR	OFF / ON
	White Balance	ATW
	Day & Night	EXT1 / B&W / Color / Auto / EXT2
	Privacy Masking	OFF / ON
	Gain	Auto
CONNECTOR	Power Input	3-Pin Terminal Block
	Video Output	BNC
	Lens	2.8-12mm, or 5-50mm. Varifocal DC Auto-Iris ICR
	Operating Temperature	14°F~122°F (-10°C~+50°C)
	Operating Humidity	0~80% (RH)
	IP Rating	IP66
	External Dimension	3.2 x 3.8 x 12in (81 x 97 x 305mm)
	Weight	2.4lbs (1.09kg)
Conformity Certifications	FCC	

DIMENSIONS

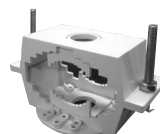


ACCESSORIES

A-CM150 Corner mount
A-CM151 Pole mount



A-CM150
Corner Mount



A-CM151
Pole Mount