

Light Duty, Wall Mount Bracket for LCD monitor

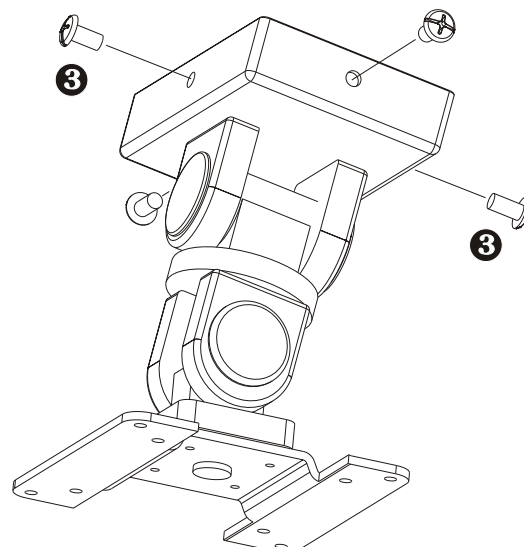
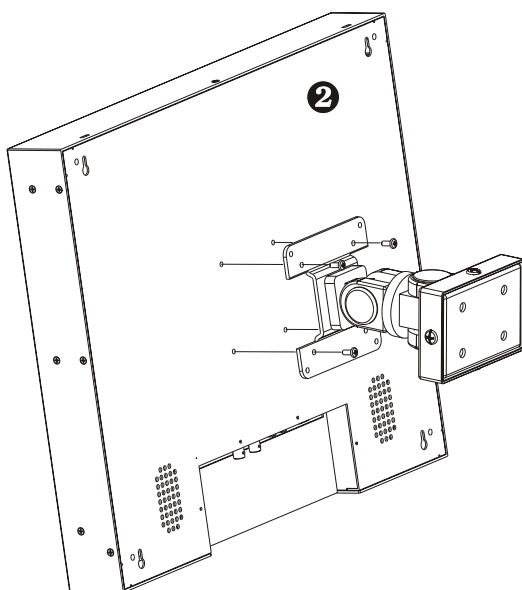
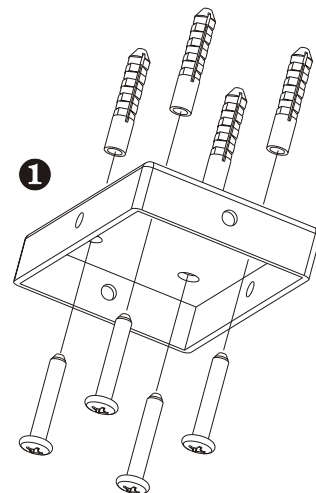
PRODUCT FEATURES

- . Light duty wall mount
- . Conform to the VESA 75mm or 100mm standard
- . Adjustable swivel head
- . Durable steel construction and hardened zinc metal frame
- . Maximum load 24 lb (11 kg)

This mount is light duty wall mount designed for use with LCD monitor.

This mount is for use in wall mounting applications and is capable of supporting loads up to 24 lb (11 kg).

- The mounting base must be attached to a structural object, such as a hard wood, wall stud that supports the weight of the mount. (Item # ❶)
- Fix Vesa plate to rear of the LCD monitor. (Item # ❷)
- Use the screw (Item # ❸) to tighten the mount base cover.

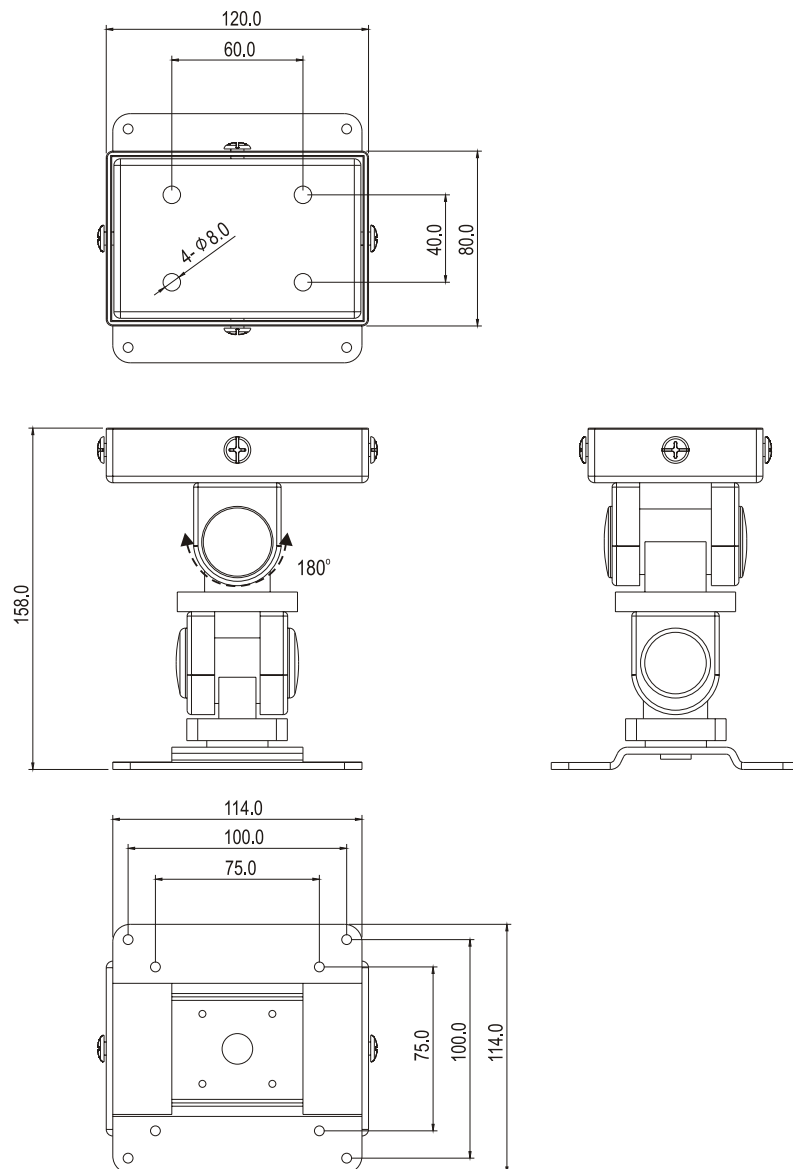


Light Duty, Wall Mount Bracket for LCD monitor

SPECIFICATIONS

Pan adjustment	Unlimited 360°	
Tilt adjustment	-90° ~ 90° (up or down)	
LCD mounting	Four(4) M4 x 8L Machine screw (supplied).	
Construction	Durable steel & hardened zinc metal	
Maximum load	24 lb (11 kg)	
Dimension	See dimensional outline	
Weight	Unit 3.1 lb (1.41 kg)	Shipping 3.6 lb (1.64 kg)

DIMENSION



Unit: mm